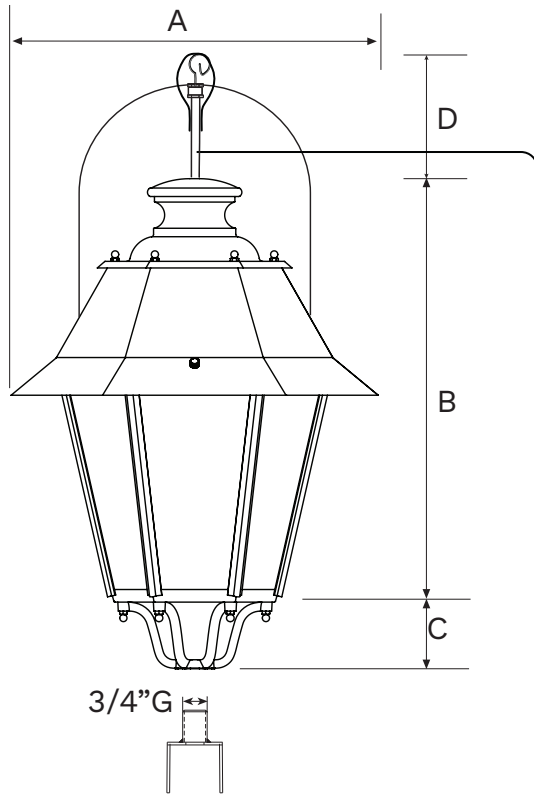


# Schröder CASCAIS GEN2

ENG	INSTALLATION INSTRUCTIONS	ITA	ISTRUZIONI DI INSTALLAZIONE	NLD	INSTALLATIE INSTRUCTIES	DAN	INSTALLATIONSVEJLEDNING	HUN	TELEPÍTÉSI ÚTMUTATÓ
DEU	INSTALLATIONSANLEITUNG	POL	INSTRUKCJE MONTAŻU	RUS	Инструкции по установке	RON	INSTRUCȚIUNI DE INSTALARE	CHI	安装说明
FRA	INSTRUCTIONS DE MONTAGE	SPA	INSTRUCCIONES DE INSTALACIÓN	POR	INSTRUÇÕES DE INSTALAÇÃO	SWE	INSTALLATIONSANVISNING	UKR	Інструкції з монтажу
SRP	UPUTSTVA ZA INSTALACIJU	ARA	تعليمات التركيب						

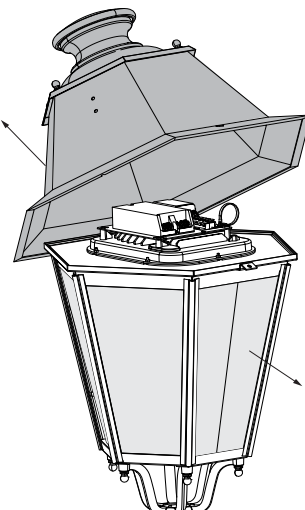
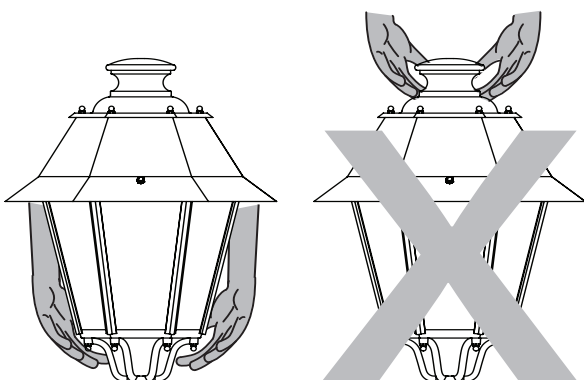
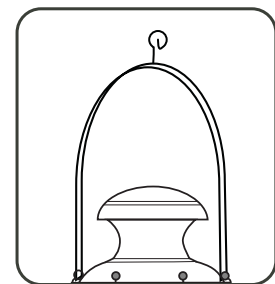
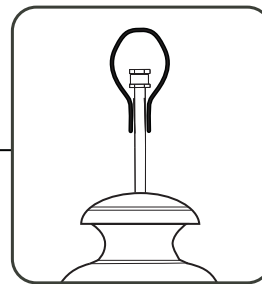
										230V 50/60Hz AC	IP Body 44	IP Optical block 66	IK 08
--	--	--	--	--	--	--	--	--	--	-----------------------	------------------	------------------------------	----------



ALL THE TIGHTENING TORQUES  
VALUES ARE GIVEN FOR ASSEMBLIES  
WITHOUT THE ADDITION OF A  
GREASE DECREASING FRICTION.



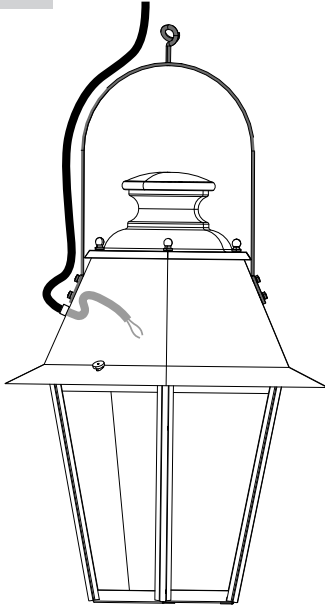
A	530mm
B	735mm
C	110mm
D	155mm
CxS	0.38m <sup>2</sup>
kg	13



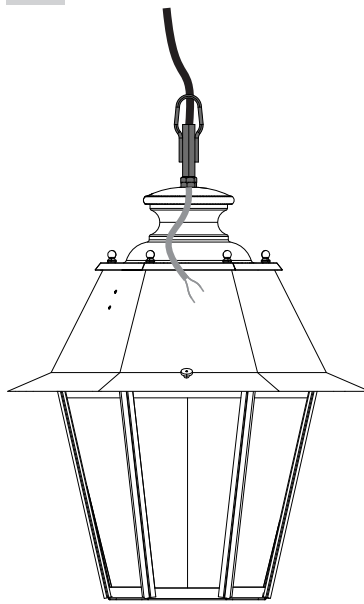


## A. INSTALLATION WITH MAIN CABLE

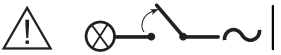
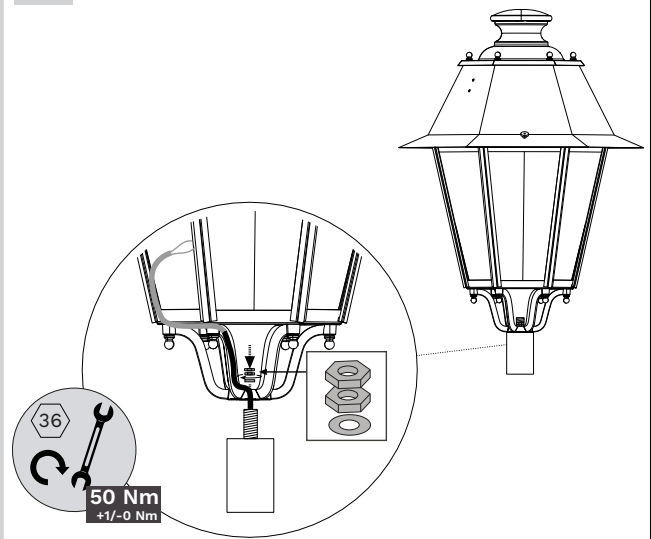
### 1 SUSPENDED ARCH



### 2 SUSPENDED POLE

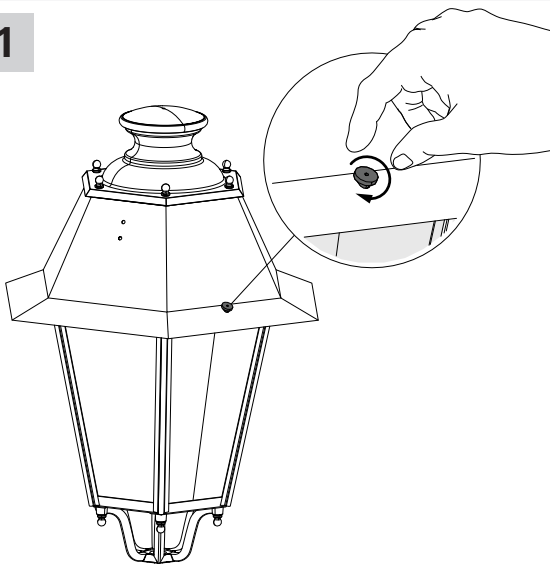


### 3 POST-TOP

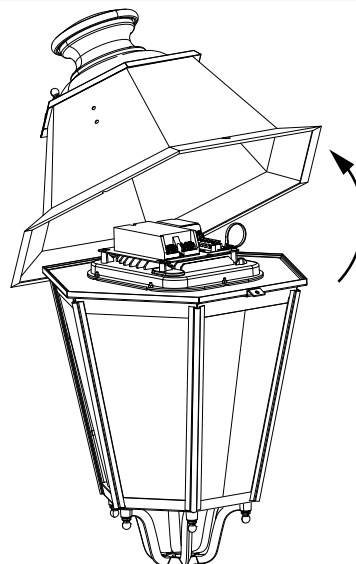


## B. CONNECT THE MAIN CABLE

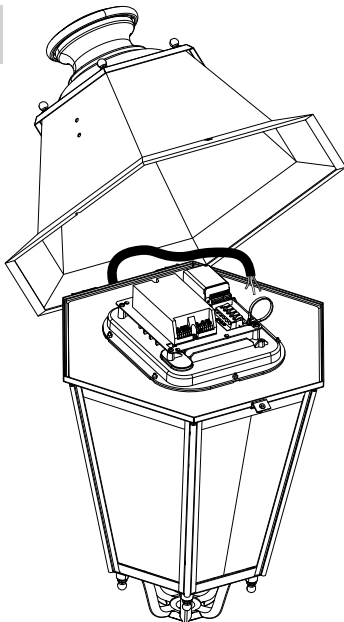
### 1



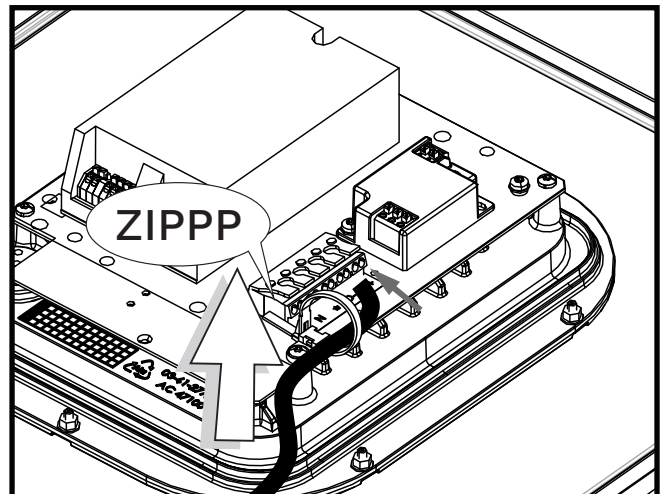
### 2



### 3



### 4



For more information regarding maintenance activities, please refer to the Circle Led Base Installation Instruction



# B. ELECTRICAL CONNECTION

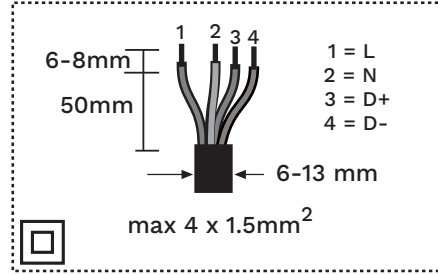
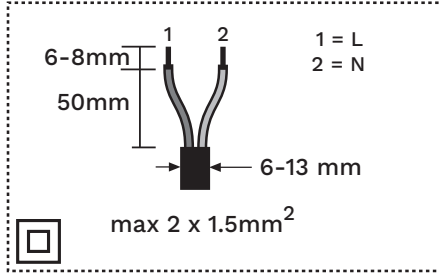
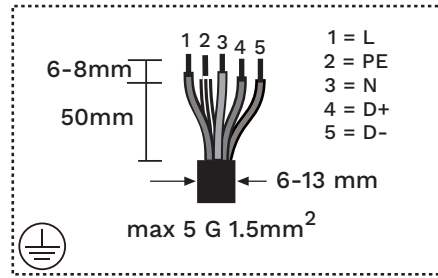
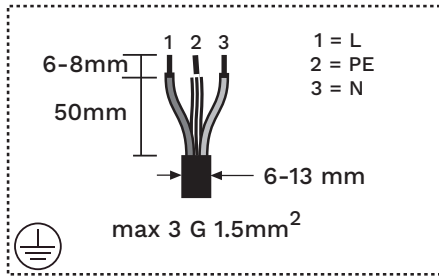
1



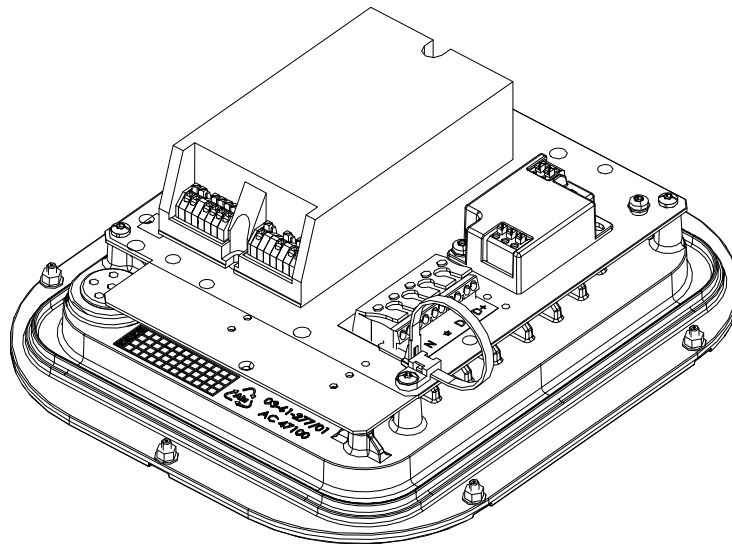
No Dim



Dim



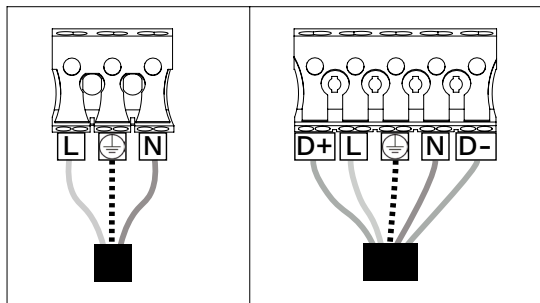
2



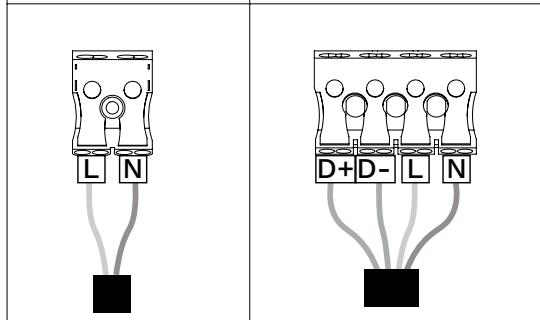
NoDim

0-10V / DALI

Class I



Class II



SAFETY INSTRUCTIONS

ENGLISH SAFETY INSTRUCTIONS - The light source contained in this luminaire shall only be replaced by the manufacturer or his service agent or a similar qualified person.

RISK GROUP 2

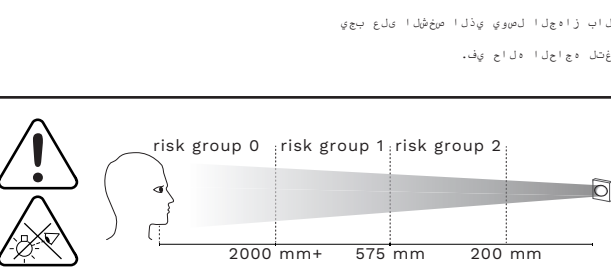
RISK GROUP 2 - CAUTION! Hazardous optical radiation may be emitted from this product. Do not stare at the luminaire when operating as it may be harmful to the eyes.

ENERGY EFFICIENCY

This product contains a light source of an energy efficiency class G or higher or see table on first page. This product contains a light source of an energy efficiency class G or higher.

PVC INSULATION AND Y CONNECTION

The cable is protected against climatic conditions, especially UV rays and rain, by making sure that the cable is contained inside the luminaire and pole.



Icons for environmental and safety features: Recycled paper (22 PAP), LED technology, eye protection, and electrical safety.