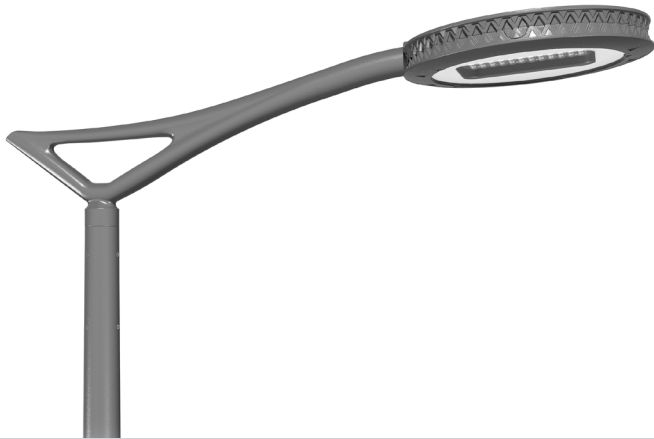


# Schröder

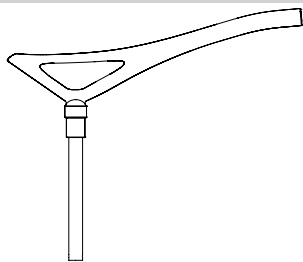
## BRACKETS

Installation instructions

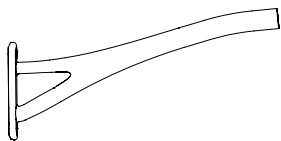


### Variants

Penetrating brackets (pole top) Page 1 & 2



Lateral & wall brackets : Page 3 & 4



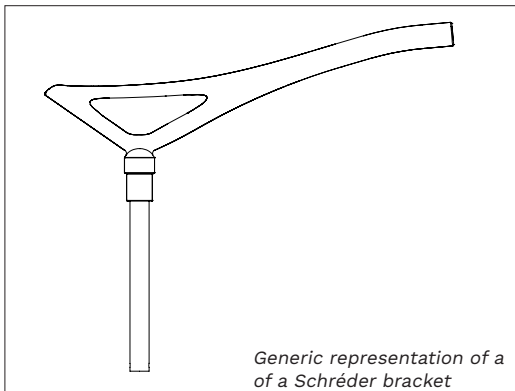
### Penetrating Brackets (pole top)

Key depending the screws provided with the pole

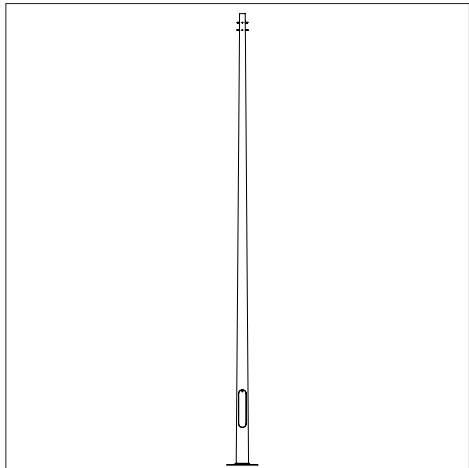


#### A REQUIRED

Penetrating bracket



Pole with holes at the top + screws\*



\* Pole head diameter compatible with the bracket  
Dimensions of the pole meeting EN40 requirements. If the pole is delivered by Schröder, specific screws can be delivered in addition to the pre-assembled ones (bag, envelope, etc.)

**B**

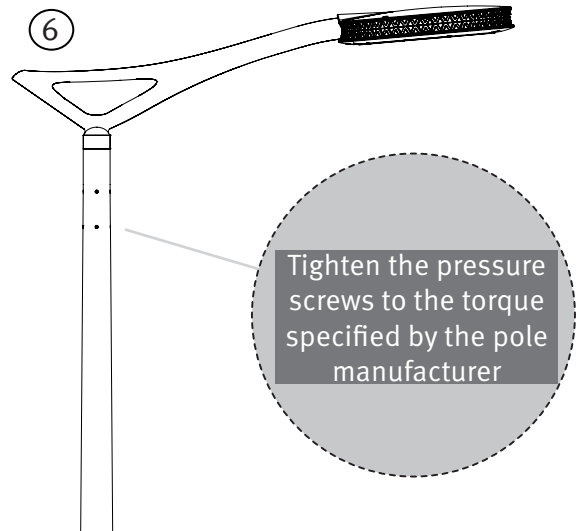
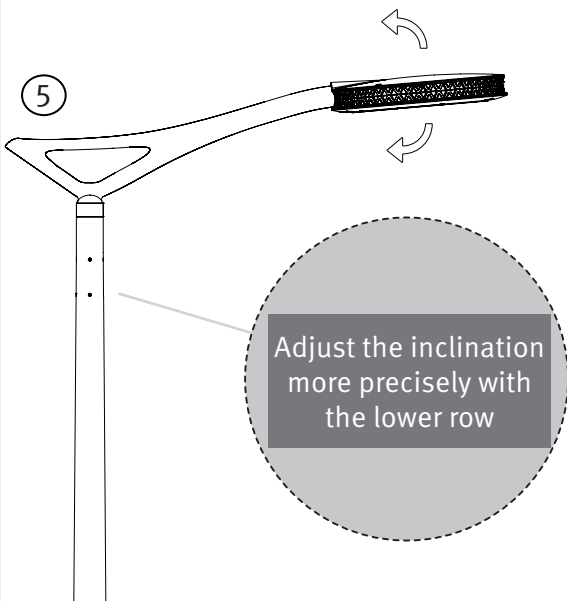
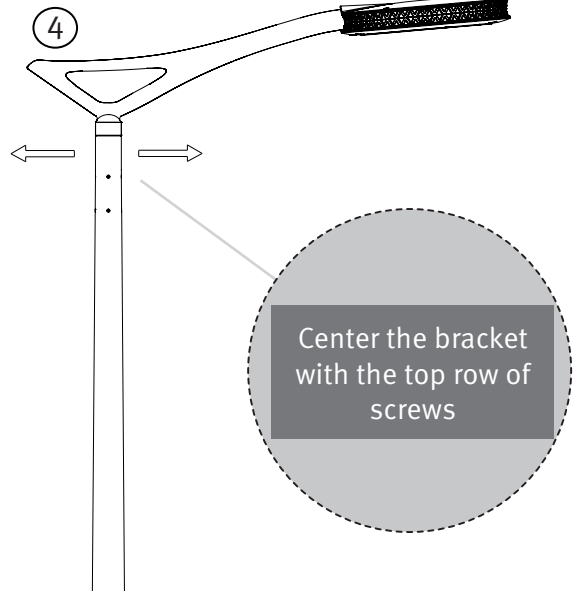
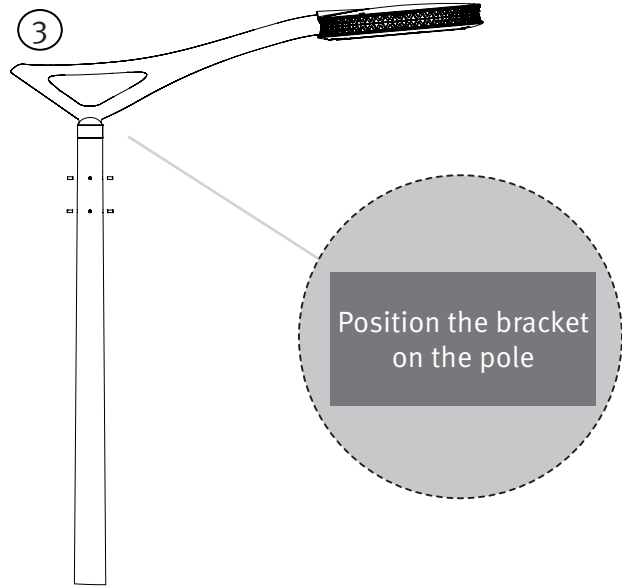
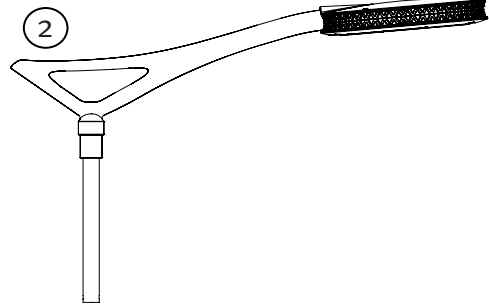
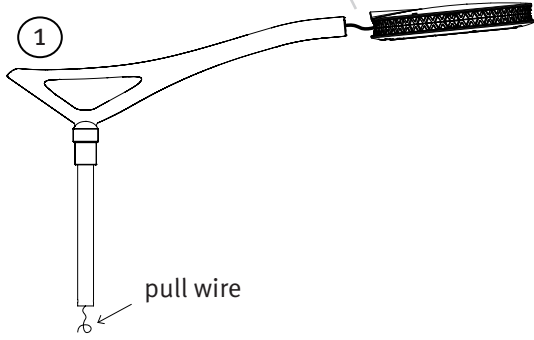


**MOUNTING**



Wire the bracket with the pull wire

Refer to the luminaire installation instruction\*



\*Various luminaires available



# Lateral & Wall Brackets

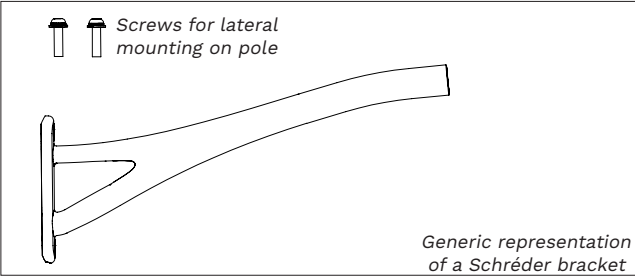
Key according to size of the screws provided with the bracket



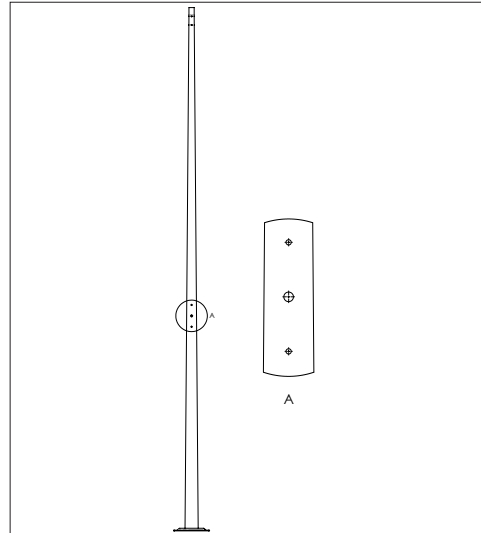
## A REQUIRED

Lateral & Wall Bracket  
(side mount on pole or wall)

  Screws for lateral mounting on pole



Pole with drilling for lateral bracket



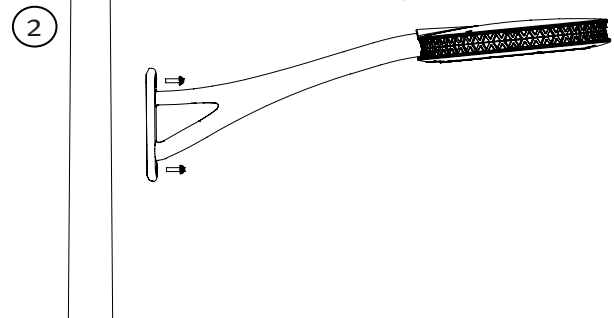
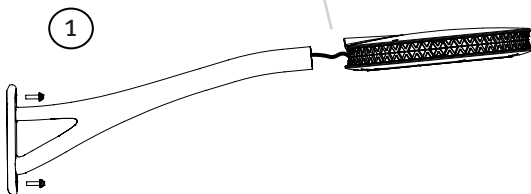
\* Pole diameter compatible with the bracket base  
Pole dimensions meet EN40 requirements

## B LUMINAIRE MOUNTING



Wire the bracket

Refer to the luminaire installation instructions\*



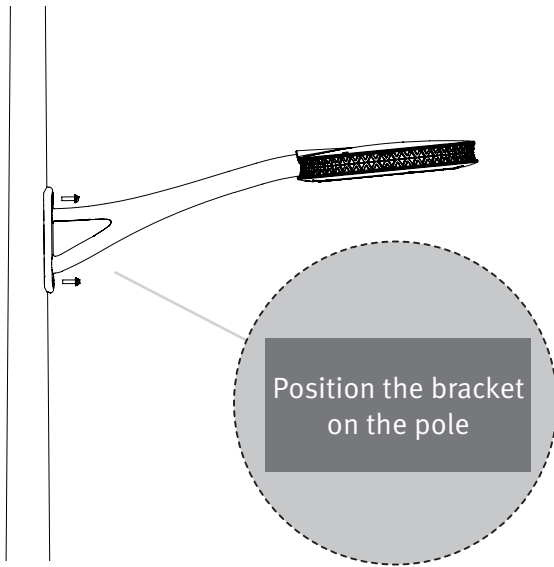
\*Various luminaires available

**c**

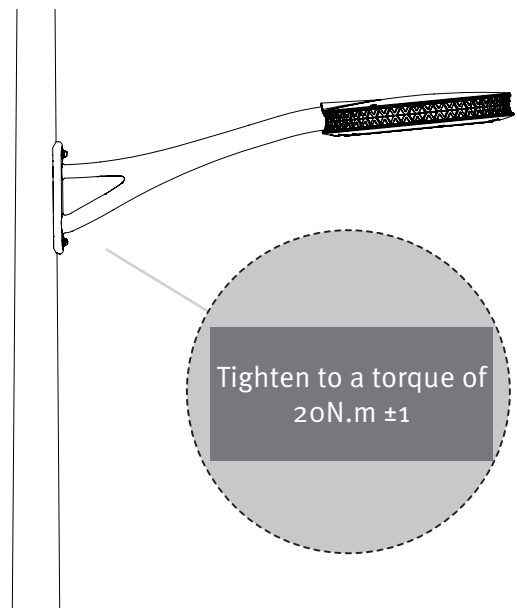
### LATERAL ON POLE MOUNTING



③



④



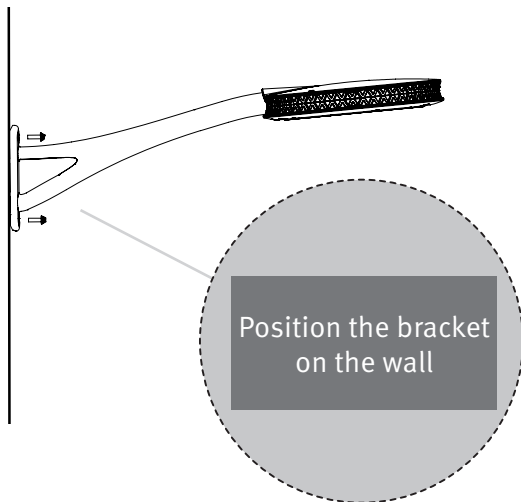
**C bis**

### WALL MOUNTING



The type of anchoring will be the responsibility of the installer depending on the support

③



④

