

VINTO



Celebrate your heritage and build a brighter future

Inspired by the timeless appeal of classic design, the VINTO urban lighting solution brings a touch of elegance to your urban landscapes, creating a sense of nostalgia while seamlessly integrating into modern environments.

A perfect blend of vintage design and technical innovation, VINTO incorporates the latest lighting and remote control technologies. This urban luminaire delivers superior performance, with remarkable energy efficiency and long-term durability, making it as high-performance as it is visually striking.

Transform your cityscape with the VINTO luminaire and celebrate your heritage while shaping the future of lighting.



Concept

A perfect blend of classic design and modern technology, the VINTO luminaire incorporates the latest lighting innovations. Designed for performance, its die-cast aluminium housing features an integrated heat sink, ensuring optimum heat dissipation and extending the luminaire's lifespan and efficacy.

Available in two sizes —Mini and Midi—VINTO is available with two different protectors, one flat and the other with curved glass. This versatility enables it to provide optimised aesthetic and photometric solutions, adapting to any environment and meeting stringent regulations such as the Dark Sky standard.

At the heart of its vintage design is the latest Schröder LensoFlex® photometric platform. This powerful LED engine offers flexible, energy-efficient lighting that can be tailored to meet the specific needs of any project, maximising savings and providing a quick return on investment.

With VINTO, classic design meets connected technology. Optionally equipped with a NEMA or a Zhaga socket, VINTO becomes a connected-ready lighting solution. It offers a complete smart lighting experience, with real-time and scheduled control options, dynamic and automated lighting scenarios, maintenance scheduling, energy consumption management and integration with third-party connected hardware. In addition, a PIR motion sensor can be added, enabling lighting levels to be adjusted for further energy savings.

VINTO benefits from universal adjustable fixation, enabling it to switch from a side-entry to a post-top position without removing the luminaire from the pole. But that's not all — this luminaire also offers the flexibility to create aesthetic and uniform lighting ensembles, thanks to its wide range of compatible poles and brackets. Combine VINTO with the ANDO, TRESSA, ELAYA, ITO, FLO or KEMA brackets to reveal the unique character of your landscape. With VINTO, urban lighting is more than just functional — it's a design revolution.



With its classically inspired design, VINTO stands out from traditional urban streetlights, adding a touch of elegance to your cityscape.



Create the perfect pairing for your urban spaces and reveal their unique character with VINTO's matching range of poles and brackets.



Thanks to the possibility of integrating the latest connectivity options, VINTO offers a lighting solution that is ready for your smart city projects.



Tool-free access, easy maintenance, optimised energy consumption and environmentally-friendly lighting - every detail of VINTO's design has been carefully thought out for a circular economy.

TYPES OF APPLICATION

- URBAN & RESIDENTIAL STREETS
- BRIDGES
- BIKE & PEDESTRIAN PATHS
- RAILWAY STATIONS & METROS
- CAR PARKS
- SQUARES & PEDESTRIAN AREAS
- ROADS & MOTORWAYS

KEY ADVANTAGES

- Elegant design incorporating the advantages of LED technology
- LensoFlex®4 versatile solutions for high-end photometries maximising comfort and safety
- On-site adjustment from post-top to side-entry without disconnecting the luminaire from the pole
- Various configurations with poles and brackets
- Connected-ready
- Compatible with the Schröder EXEDRA control platform
- Zhaga-D4i certified
- Dark sky compliant: ULOR = 0%, no up-light

VINTO | With ANDO bracket



VINTO | With ELAYA bracket



VINTO | With FLO bracket



VINTO | With ITO bracket



VINTO | With KEMA bracket



VINTO | With TRESSA bracket



VINTO | With VECTOR bracket



VINTO | With ST REMY bracket

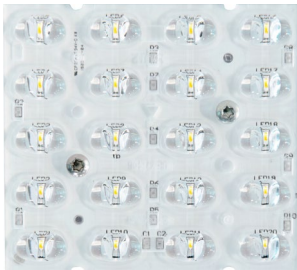




LensoFlex®4

LensoFlex®4 maximises the heritage of the LensoFlex® concept with a very compact yet powerful photometric engine based upon the addition principle of photometric distribution. The number of LEDs in combination with the driving current determines the intensity level of the light distribution. With optimised light distributions and very high efficiency, this fourth generation enables the products to be downsized to meet application requirements with an optimised solution in terms of investment.

LensoFlex®4 optics can feature backlight control to prevent intrusive lighting, or a glare limiter for high visual comfort.

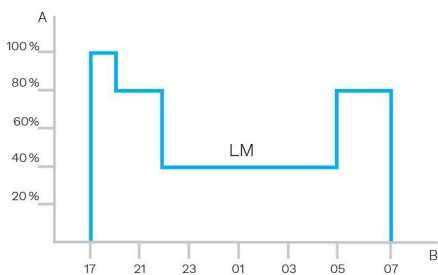




Custom dimming profile

Intelligent luminaire drivers can be programmed with complex dimming profiles. Up to five combinations of time intervals and light levels are possible. This feature does not require any extra wiring.

The period between switching on and switching off is used to activate the preset dimming profile. The customised dimming system generates maximum energy savings while respecting the required lighting levels and uniformity throughout the night.

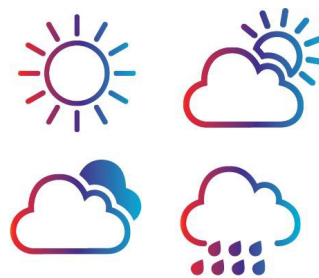


A. Dimming level | B. Time



Daylight sensor / photocell

Photocell or daylight sensors switch the luminaire on as soon natural light falls to a certain level. It can be programmed to switch on during a storm, on a cloudy day (in critical areas) or only at nightfall so as to provide safety and comfort in public spaces.



PIR sensor: motion detection

In places with little nocturnal activity, lighting can be dimmed to a minimum most of the time. By using passive infrared (PIR) sensors, the level of light can be raised as soon as a pedestrian or a slow vehicle is detected in the area.

Each luminaire level can be configured individually with several parameters such as minimum and maximum light output, delay period and ON/OFF duration time. PIR sensors can be used in an autonomous or interoperable network.

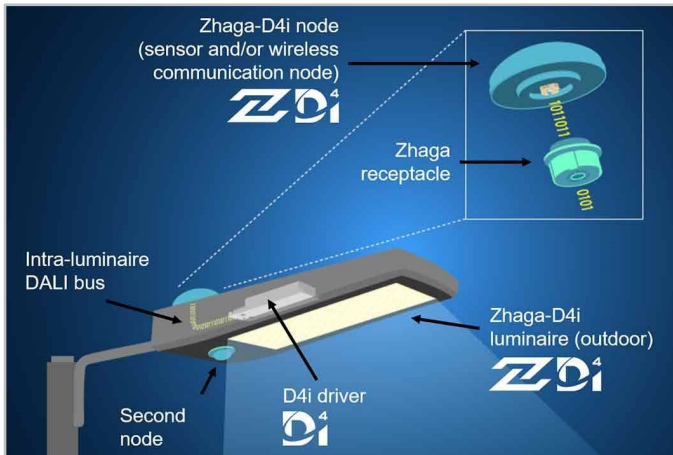


The Zhaga consortium joined forces with the DiiA and produced a single Zhaga-D4i certification that combines the Zhaga Book 18 version 2 outdoor connectivity specifications with the DiiA's D4i specifications for intra-luminaire DALI.

2 sockets: top and bottom



The Zhaga socket is small and suited to applications where aesthetics is essential. The architecture of Zhaga-D4i also foresees the possibility of putting two sockets on one luminaire, allowing for instance, the combination of a detection sensor and a control node. This also has the added value of standardising certain detection sensor communications with the D4i protocol.



Standardisation for interoperable ecosystems



As a founding member of the Zhaga consortium, Schröder has participated in the creation of, and therefore supports, the Zhaga-D4i certification program and the initiative of this group to standardise an interoperable ecosystem. The D4i specifications take the best of the standard DALI2 protocol and adapt it to an intra-luminaire environment but it has certain limitations. Only luminaire mounted control devices can be combined with a Zhaga-D4i luminaire.

According to the specification, control devices are limited respectively to 2W and 1W average power consumption.

Certification program

The Zhaga-D4i certification covers all the critical features including mechanical fit, digital communication, data reporting and power requirements within a single luminaire, ensuring plug-and-play interoperability of luminaires (drivers) and peripherals such as connectivity nodes.

Cost-effective solution

A Zhaga-D4i certified luminaire includes drivers offering features that had previously been in the control node, like energy metering, which has in turn simplified the control device therefore reducing the price of the control system.

Schröder EXEDRA is the most advanced lighting management system on the market for controlling, monitoring and analysing streetlights in a user-friendly way.



Standardisation for interoperable ecosystems

Schröder plays a key role in driving standardisation with alliances and partners such as uCIFI, TALQ or Zhaga. Our joint commitment is to provide solutions designed for vertical and horizontal IoT integration. From the body (hardware) to the language (data model) and the intelligence (algorithms), the complete Schröder EXEDRA system relies on shared and open technologies. Schröder EXEDRA also relies on Microsoft Azure for cloud services, provided with the highest levels of trust, transparency, standards conformance and regulatory compliance.

Breaking the silos

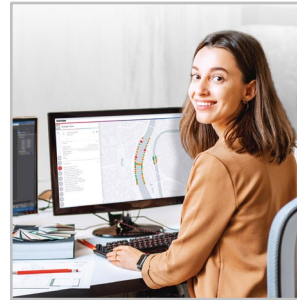
With EXEDRA, Schröder has taken a technology-agnostic approach: we rely on open standards and protocols to design an architecture able to interact seamlessly with third-party software and hardware solutions. Schröder EXEDRA is designed to unlock complete interoperability, as it offers the ability to:

- control devices (luminaires) from other brands
- manage controllers and to integrate sensors from other brands
- connect with third-party devices and platforms

A plug-and-play solution

As a gateway-less system using the cellular network, an intelligent automated commissioning process recognises, verifies and retrieves luminaire data into the user interface. The self-healing mesh between luminaire controllers enables real-time adaptive lighting to be configured directly via the user interface. OWLET IV luminaire controllers, optimised for Schröder EXEDRA, operate Schröder's luminaires and luminaires from third parties. They use both cellular and mesh radio networks, optimising geographical coverage and redundancy for continuous operation.

Tailored experience



Schröder EXEDRA includes all advanced features needed for smart device management, real-time and scheduled control, dynamic and automated lighting scenarios, maintenance and field operation planning, energy consumption management and third-party connected hardware integration. It is fully configurable and includes tools for user management and multi-tenant policy that enables contractors, utilities or big cities to segregate projects.

A powerful tool for efficiency, rationalisation and decision making

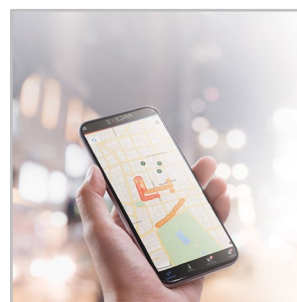
Data is gold. Schröder EXEDRA brings it with all the clarity managers need to drive decisions. The platform collects massive amounts of data from end devices and, aggregates, analyses and intuitively displays them to help end-users take the right actions.

Protected on every side



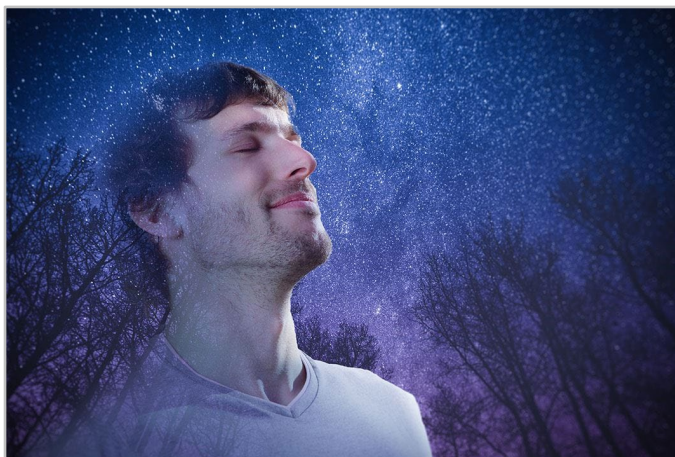
Schröder EXEDRA provides state-of-the-art data security with encryption, hashing, tokenisation, and key management practices that protect data across the whole system and its associated services. The whole platform is ISO 27001 certified. It demonstrates that Schröder EXEDRA meets the requirements for establishing, implementing, maintaining and continually improving security management.

Mobile App: any time, any place, connect to your street lighting

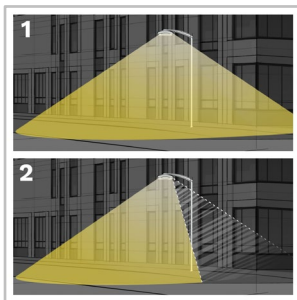


The Schröder EXEDRA mobile application offers the essential functionalities of the desktop platform, to accompany all types of operator on site in their daily effort to maximise the potential of connected lighting. It enables real-time control and settings, and contributes to effective maintenance.

With the PureNight concept, Schröder offers the ultimate solution for restoring the night sky without switching off cities, while maintaining safety and well-being for people and preserving wildlife. The PureNight concept guarantees that your Schröder lighting solution satisfies environmental laws and requirements. Well-designed LED lighting has the potential to improve the environment in all respects.



Direct the light only where it is wanted and needed



1. Without backlight
2. With backlight

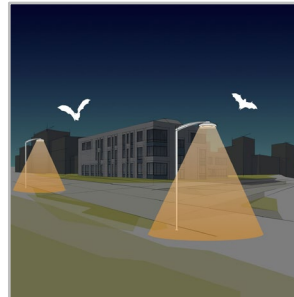
Schröder is renowned for its expertise in photometry. Our optics direct light only where it is wanted and needed. However, light trespass behind the luminaire might be a key concern when it comes to protecting a sensitive wildlife habitat or avoiding intrusive lighting towards buildings. Our fully integrated backlight solutions easily address this potential risk.

Offer maximum visual comfort to people



Because of the lower installation height compared to road lighting, visual comfort is an essential aspect of urban lighting. Schröder designs lenses and accessories to minimise any type of glare (distracting, discomforting, disabling glare and blinding glare). Our design offices harness a range of possibilities to find the best solutions for each project and ensure that we provide a gentle light that delivers the best night-time experience.

Protect wildlife



If not well designed, artificial lighting can badly affect wildlife. Blue light and excessive intensity can have a damaging effect on all types of life. Blue light radiation has the ability to suppress the production of melatonin, the hormone that contributes to the regulation of the circadian rhythm. It can also alter the behavioural patterns of animals including bats and moths, as it can change their movements towards or away from light sources. Schröder favours warm white LEDs with minimal blue light, combined with advanced control systems including sensors. This enables permanent adaptation of the lighting to the real needs of the moment, minimising disturbance to the fauna and flora.

Get the starry sky back



The Upward Light Ratio (ULR) and Upward Light Output Ratio (ULOR), the latter taking the flux from the luminaire into account, provide information on the percentage of light emitted towards the sky. This Schröder range of luminaires minimises or eliminates (depending on the options) upward-directed light flux. It complies with strict international and local requirements.

GENERAL INFORMATION

Recommended installation height	3m to 12m 10' to 39'
Circle Light label	Score ≥90 - The product fully meets circular economy requirements
Driver included	Yes
CE mark	Yes
ENEC certified	Yes
ENEC+ certified	Yes
ROHS compliant	Yes
Zhaga-D4i certified	Yes
UKCA marking	Yes

HOUSING AND FINISH

Housing	Aluminium
Optic	PMMA
Protector	Tempered glass
Housing finish	Anodised aluminium
Standard colour(s)	AKZO grey 900 sanded
Tightness level	IP 66
Impact resistance	IK 08, IK 09
Vibration test	Compliant with modified IEC 68-2-6 (0.5G)
Access for maintenance	Tool-less access to gear compartment

· VINTO Midi is IK08 when equipped with a curved glass protector.

OPERATING CONDITIONS

Operating temperature range (Ta)	-40°C up to +50°C / -40° F up to 122°F
----------------------------------	--

· Depending on the luminaire configuration. For more details, please contact us.

ELECTRICAL INFORMATION

Electrical class	Class I EU, Class II EU
Nominal voltage	220-240V – 50-60Hz
Surge protection options (kV)	10
Electromagnetic compatibility (EMC)	EN 55015 / EN 61000-3-2 / EN 61000-3-3 / EN 61547
Control protocol(s)	1-10V, DALI
Control options	AmpDim, Bi-power, Custom dimming profile, Photocell, Remote management
Socket	Zhaga (optional) NEMA 7-pin (optional)
Associated control system(s)	Schröder EXEDRA
Sensor	PIR (optional)

OPTICAL INFORMATION

LED colour temperature	2200K (Warm White WW 722) 2700K (Warm White WW 727) 3000K (Warm White WW 730) 4000K (Neutral White NW 740)
Colour rendering index (CRI)	>70 (Warm White WW 722) >70 (Warm White WW 727) >70 (Warm White WW 730) >70 (Neutral White NW 740)
ULOR	0%
ULR	0%

· ULOR may be different according to the configuration. Please consult us.
· ULR may be different according to the configuration. Please consult us.

LIFETIME OF THE LEDS @ TQ 25°C

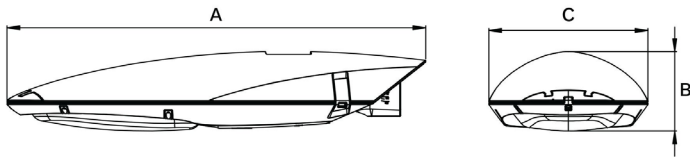
All configurations	100,000h - L95
--------------------	----------------

· Lifetime may be different according to the size/configurations. Please consult us.

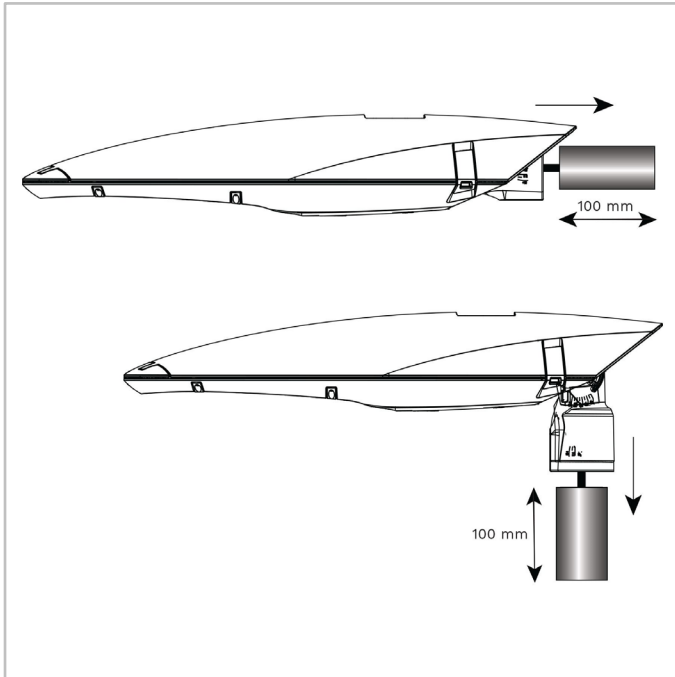
DIMENSIONS AND MOUNTING

AxBxC (mm inch)	VINTO MINI : 718x148x320 28.3x5.8x12.6 VINTO MIDI : 843x160x321 33.2x6.3x12.6
Weight (kg lbs)	VINTO MINI : 8.8 19.4 VINTO MIDI : 10.8 23.8
Aerodynamic resistance (CxS)	VINTO MINI : 0.02 VINTO MIDI : 0.02
Mounting possibilities	Side-entry slip-over – Ø42mm Side-entry slip-over – Ø48mm Side-entry slip-over – Ø60mm Side-entry penetrating – Ø60mm Post-top slip-over – Ø60mm Post-top slip-over – Ø76mm

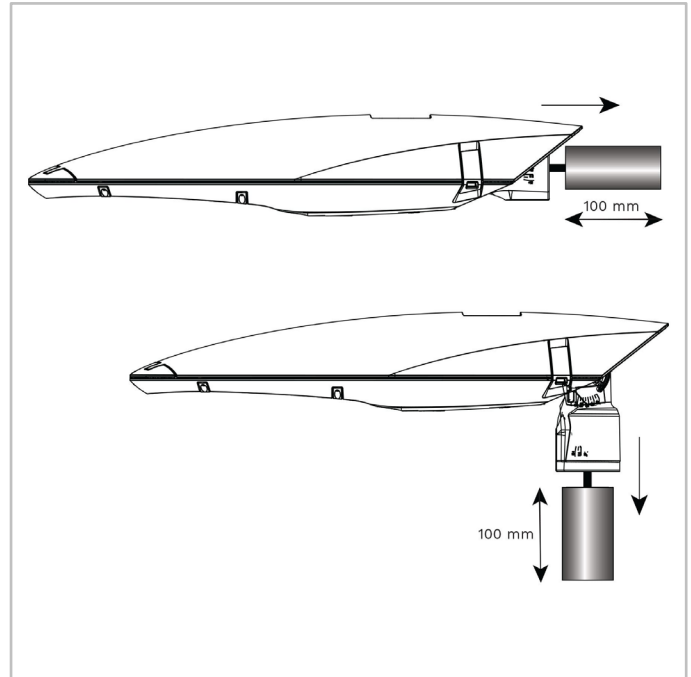
- For more information about mounting possibilities, please consult the installation sheet.
- Size and weight may be different according to the configuration. Please consult us for more information.



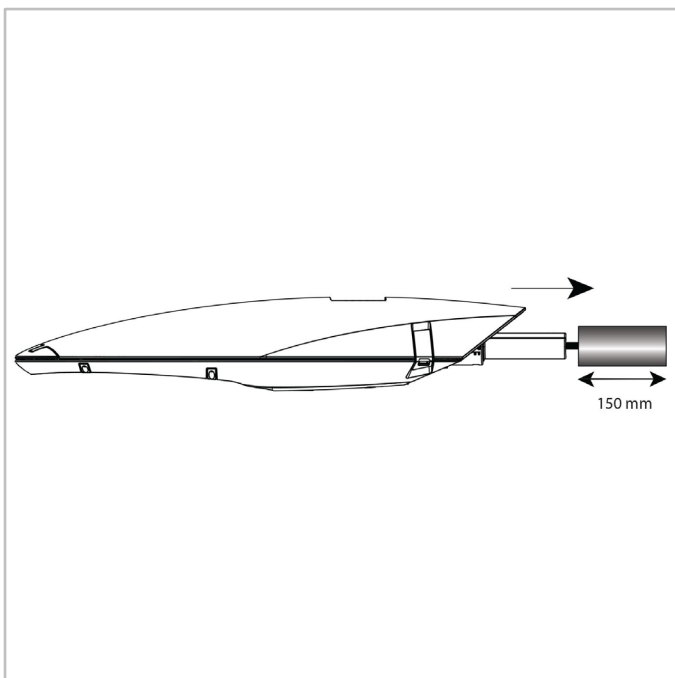
VINTO | Enveloping fixation for Ø42-60mm spigots

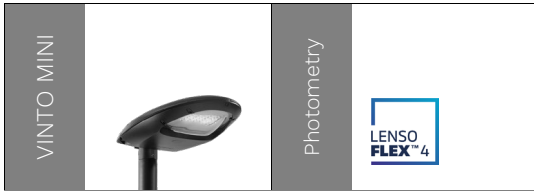


VINTO | Enveloping fixation for Ø76mm spigots



VINTO | Penetrating fixation for Ø60mm spigots





Number of LEDs	Luminaire output flux (lm)								Power consumption (W)		Luminaire efficacy (lm/W)
	Warm White WW 722		Warm White WW 727		Warm White WW 730		Neutral White NW 740				
	Min	Max	Min	Max	Min	Max	Min	Max	Min	Max	Up to
10	600	3100	700	3500	800	3800	800	4100	7	34	148
20	1300	6300	1500	7000	1600	7600	1700	8200	13	67	160
25	1900	8300	2100	9200	2300	9900	2400	10700	16	84	164

Tolerance on LED flux is ± 7% and on total luminaire power ± 5 %



Number of LEDs	Luminaire output flux (lm)								Power consumption (W)		Luminaire efficacy (lm/W)
	Warm White WW 722		Warm White WW 727		Warm White WW 730		Neutral White NW 740				
	Min	Max	Min	Max	Min	Max	Min	Max	Min	Max	Up to
30	2000	9400	2200	10500	2400	11300	2600	12200	18	99	169
40	2700	12200	3000	13600	3200	14700	3500	15900	24	131	173
50	3800	15100	4200	16900	4600	18200	4900	19600	30	162	174
60	4100	15400	4500	17200	4900	18500	5300	20000	36	149	171
75	5600	16600	6200	18600	6700	20000	7200	21600	45	162	168

Tolerance on LED flux is ± 7% and on total luminaire power ± 5 %

