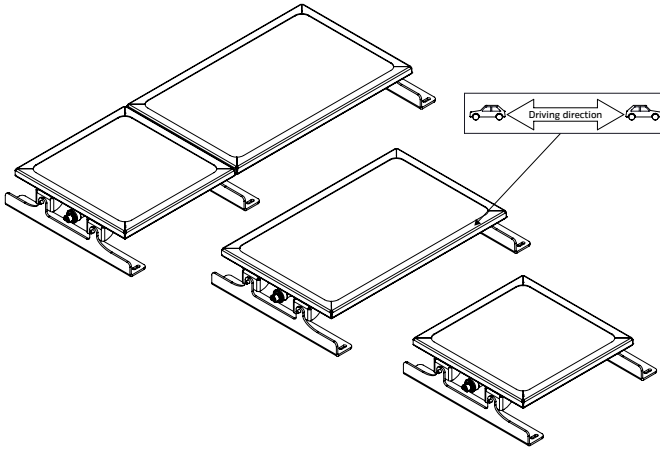


Schröder

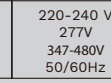
TFLEX MODULE

STAINLESS STEEL

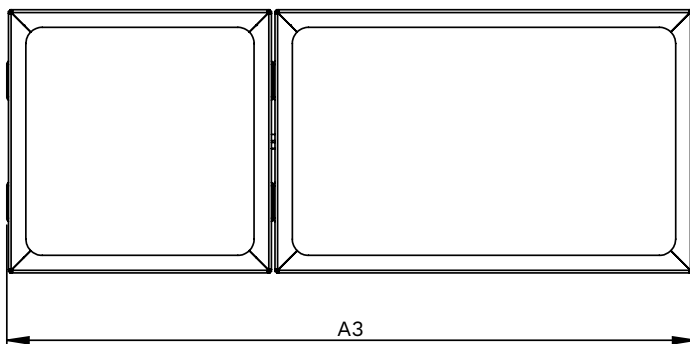
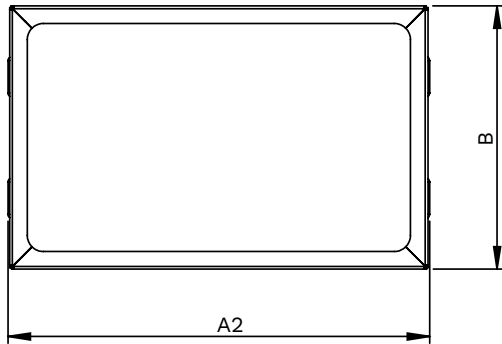
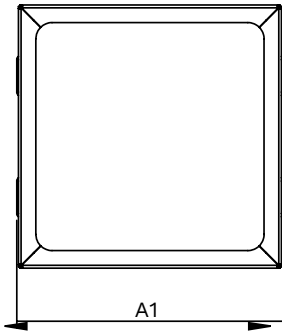
HD 40-60-100



ENG	INSTALLATION INSTRUCTIONS	ITA	ISTRUZIONI DI INSTALLAZIONE	NLD	INSTALLATIE INSTRUCTIES	DAN	INSTALLATIONSVEJLEDNING	HUN	TELEPÍTÉSI ÚTMUTATÓ
DEU	INSTALLATIONSANLEITUNG	POL	INSTRUKCJE MONTAŻU	RUS	Инструкции по установке	RON	INSTRUCȚIUNI DE INSTALARE	CHI	安装说明
FRA	INSTRUCTIONS DE MONTAGE	SPA	INSTRUCCIONES DE INSTALACIÓN	POR	INSTRUÇÕES DE INSTALAÇÃO	SWE	INSTALLATIONSANVISNING	UKR	Інструкції з монтажу
SRP	UPUTSTVA ZA INSTALACIJU	ARA	تعليمات التركيب						

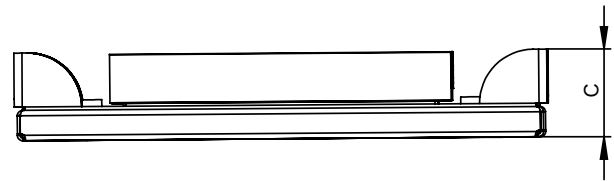


A



Led colour code	740
Light source energy efficiency class - High power	C

		MODULE 40 HD	MODULE 60 HD	MODULE 100 HD
Fins HS	Kg / lb	12.3 kg 27 lb	17.3 kg 38 lb	28 kg 61 lb

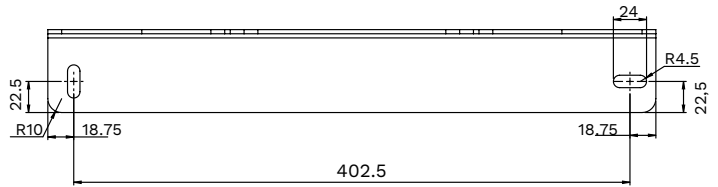
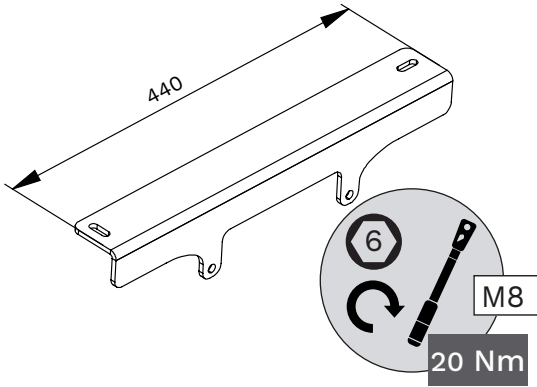


A1	382 mm 15.5 in
A2	612 mm 24.6 in
A3	994 mm 40.1 in
B	382 mm 15.3 in
C	53.2 mm 2 in
D	41 mm 1.6 in

B

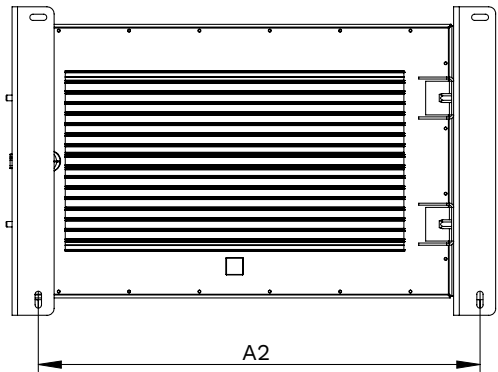
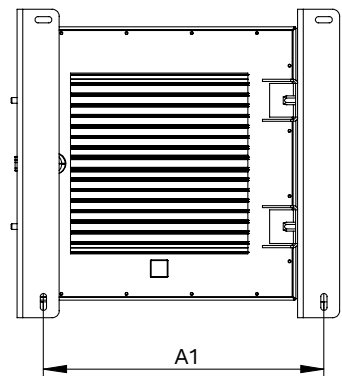
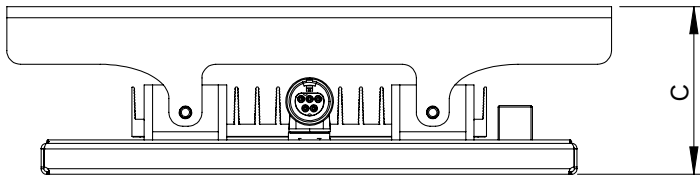
FIXED BRACKETS Ansi 3G

1



*Fixed brackets are 3G vibration compliant and available for all luminaire sizes.
 **Fixation available with 3mm or 5mm thickness bracket.

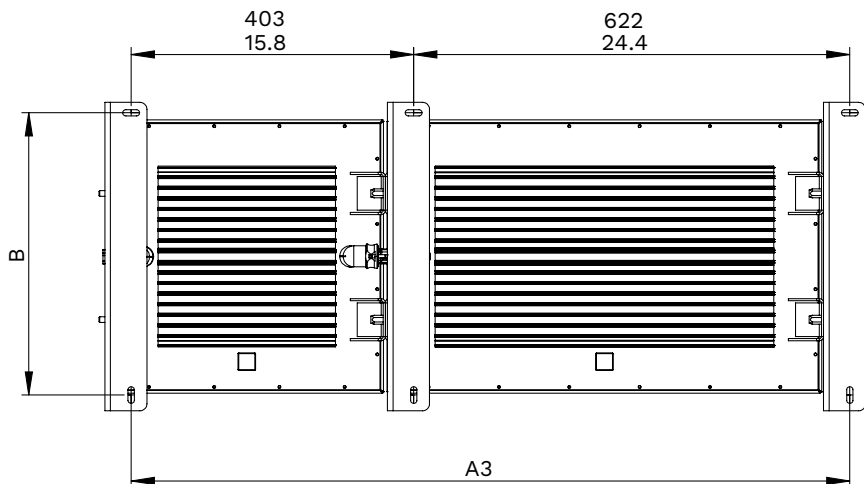
2

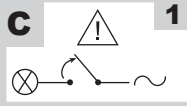


A1	392mm 15.4 in
A2	622 mm 24.4 in
A3	1014 mm 40 in

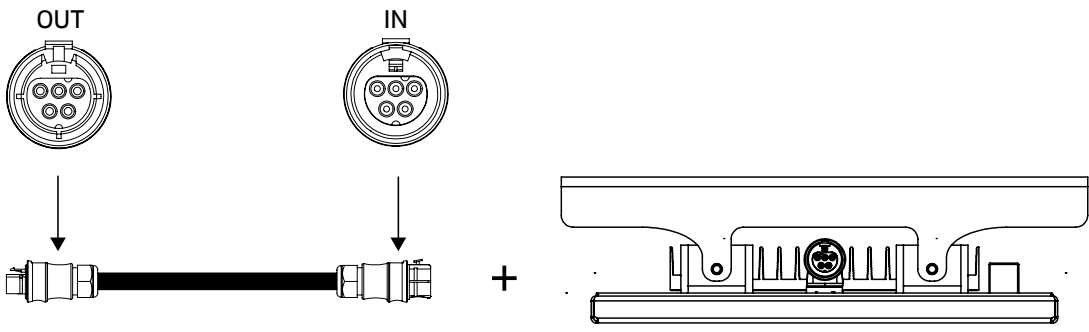
B	402.5 mm 16 in
---	-------------------

C	122 mm 4.8 in
---	------------------





REMOTE MOUNTING



5P CONNECTOR	
CONNECTOR PIN#	
1	Circuit 1
2	
3	Circuit 2
4	
5	Earth

