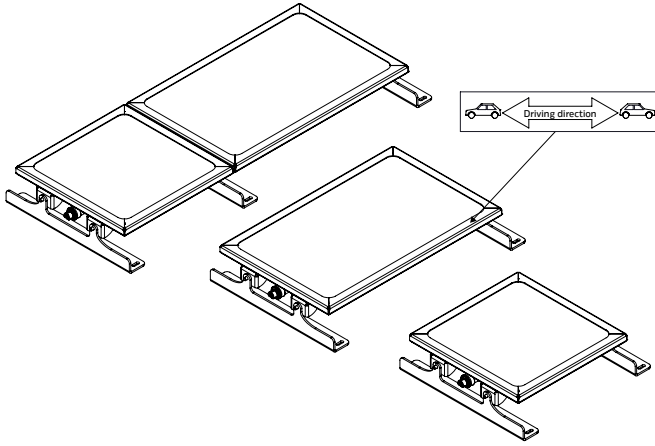


Schröder

TFLEX MODULE

STAINLESS STEEL

40-60-100

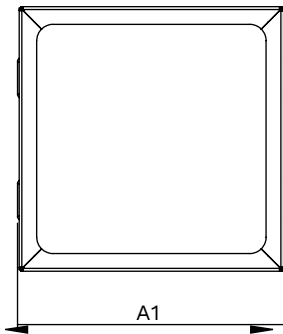


ENG	INSTALLATION INSTRUCTIONS	ITA	ISTRUZIONI DI INSTALLAZIONE	NLD	INSTALLATIE INSTRUCTIES	DAN	INSTALLATIONSVEJLEDNING	HUN	TELEPÍTÉSI ÚTMUTATÓ
DEU	INSTALLATIONSANLEITUNG	POL	INSTRUKCJE MONTAŻU	RUS	Инструкции по установке	RON	INSTRUCȚIUNI DE INSTALARE	CHI	安装说明
FRA	INSTRUCTIONS DE MONTAGE	SPA	INSTRUCCIONES DE INSTALACIÓN	POR	INSTRUÇÕES DE INSTALAÇÃO	SWE	INSTALLATIONSANVISNING	UKR	Інструкції з монтажу
SRP	UPUTSTVA ZA INSTALACIJU	ARA	تعليمات التركيب						

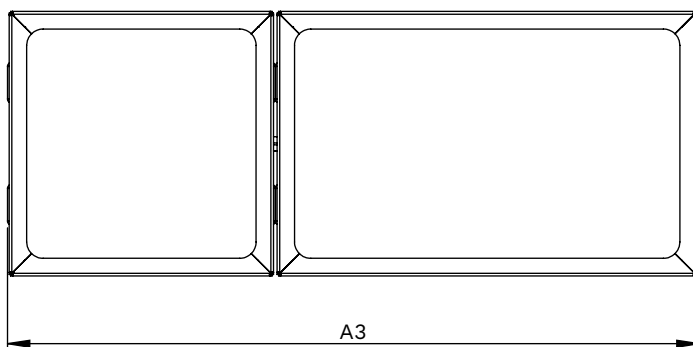
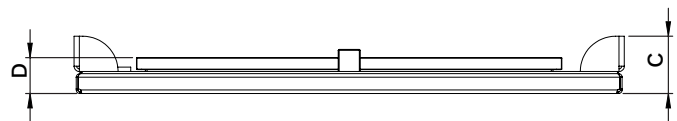
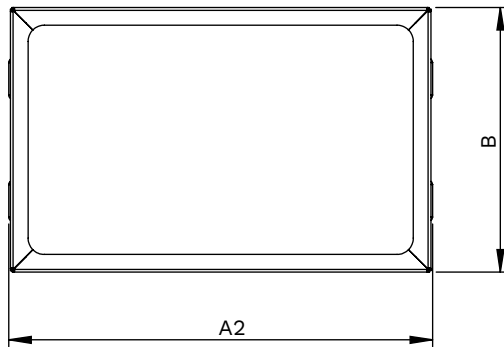
	02				IEC EN60598			3 - 7 m	220-240 V 50/60Hz	IP 66	IK 09
--	----	--	--	--	----------------	--	--	---------	----------------------	----------	----------

A

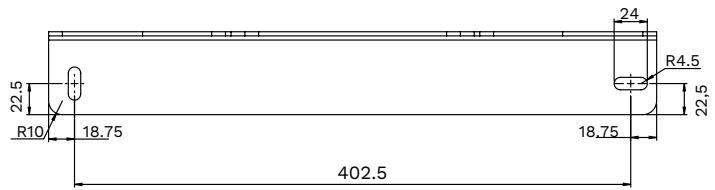
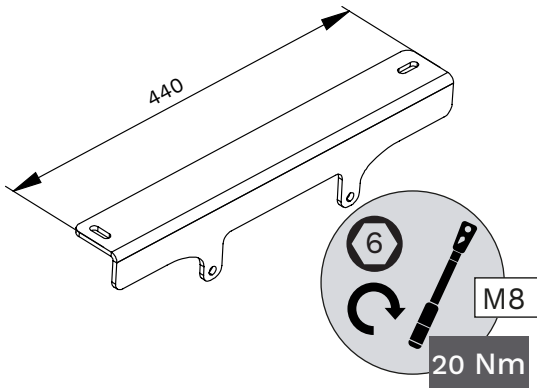
Led colour code	740
Light source energy efficiency class - High power	C



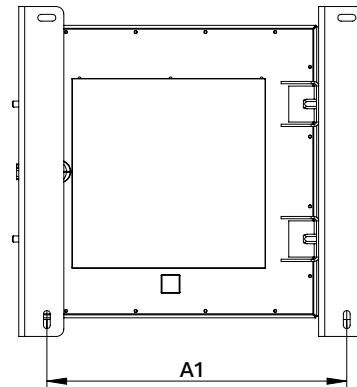
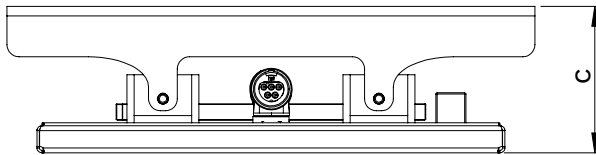
	MODULE 40	MODULE 60	MODULE 100
Plate HS	12.2 kg 26 lb	16.2 kg 37 lb	26.8 kg 59 lb



A1	382 mm 15.5 in
A2	612 mm 24.6 in
A3	994 mm 40.1 in
B	382 mm 15.3 in
C	53.2 mm 2 in
D	41 mm 1.6 in

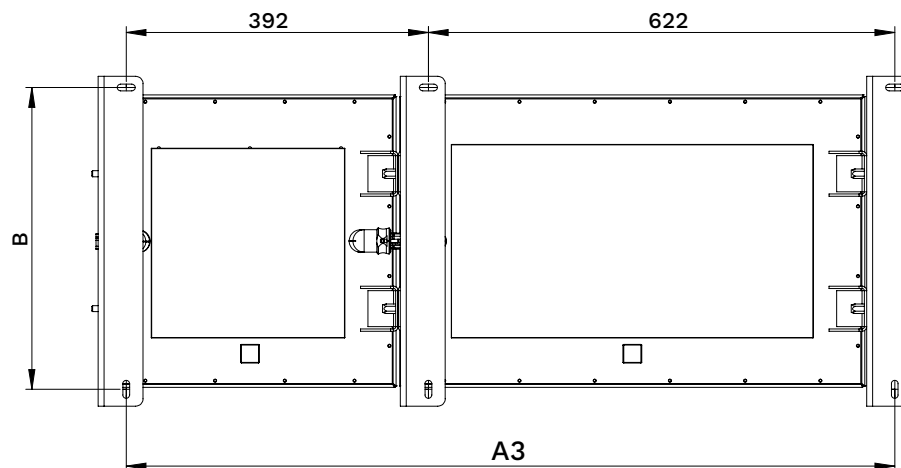
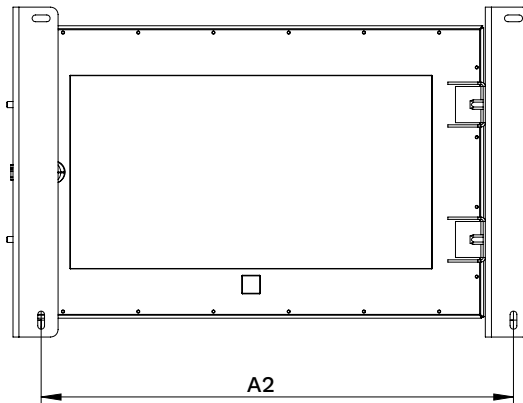
B**FIXED BRACKETS** Ansi 3G**1**

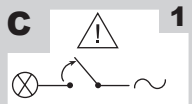
*Fixed brackets are 3G vibration compliant and available for all luminaire sizes.
 **Fixation available with 3mm or 5mm thickness bracket.

2

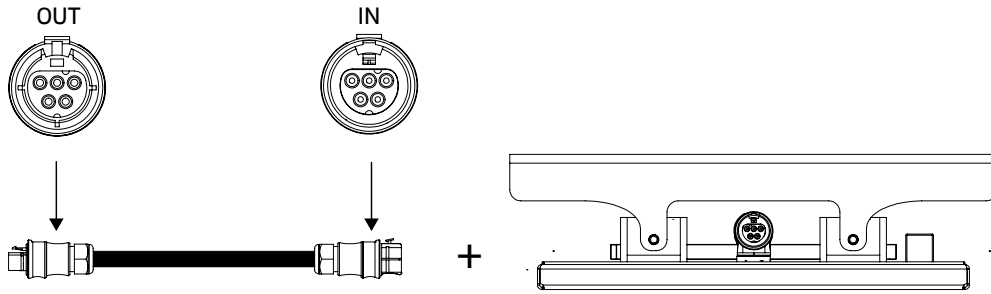
A1	392mm 15.4 in
A2	622 mm 24.4 in
A3	1014 mm 40 in

B	402.5 mm 16 in	C	122 mm 4.8 in
---	-------------------	---	------------------

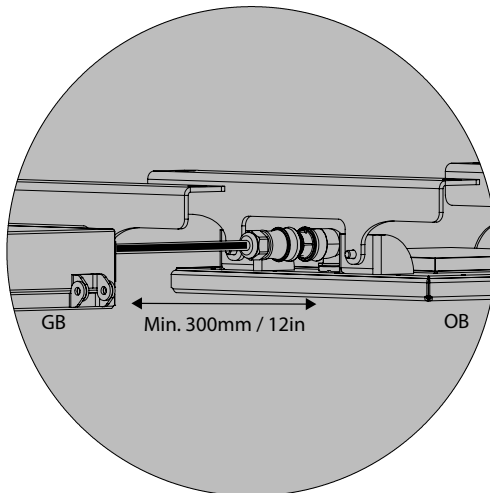
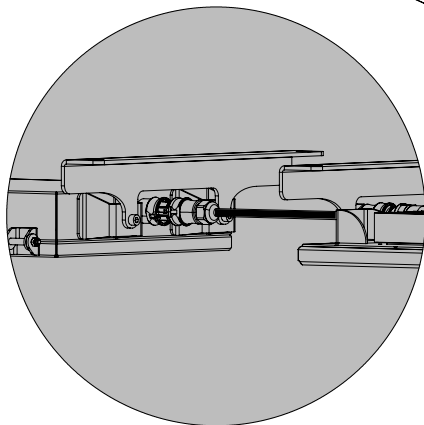
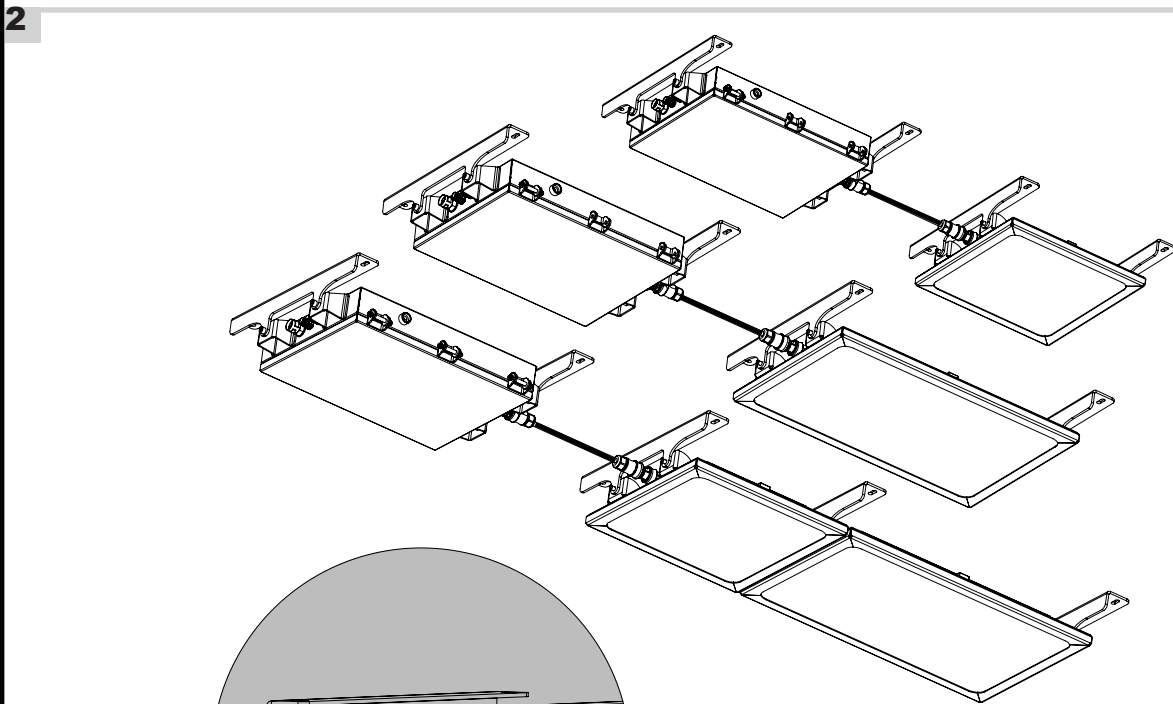
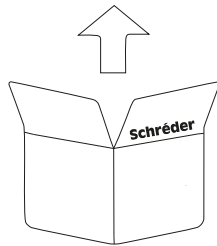




REMOTE MOUNTING



5P CONNECTOR	
CONNECTOR PIN#	
1	Circuit 1
2	
3	Circuit 2
4	
5	Earth



Copyright © Schréder S.A. 2024 - Executive Publisher: Stéphane Halleux - B-4000 Liège, Rue de Mons 3 (Belgium) - The information, descriptions and illustrations herein are only of an indicative nature and subject to changes without notice.

