

Schréder

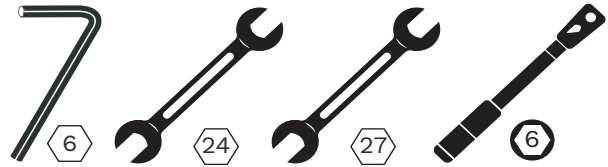
TFLEX COMBI STAINLESS STEEL

HD 40-60-100

ENG	INSTALLATION INSTRUCTIONS	ITA	ISTRUZIONI DI INSTALLAZIONE	NLD	INSTALLATIE INSTRUCTIES	DAN	INSTALLATIONSVEJLEDNING	HUN	TELEPÍTÉSI ÚTMUTATÓ
DEU	INSTALLATIONSANLEITUNG	POL	INSTRUKCJE MONTAŻU	RUS	Инструкции по установке	RON	INSTRUCȚIUNI DE INSTALARE	CHI	安装说明
FRA	INSTRUCTIONS DE MONTAGE	SPA	INSTRUCCIONES DE INSTALACIÓN	POR	INSTRUÇÕES DE INSTALAÇÃO	SWE	INSTALLATIONSANVISNING	UKR	Інструкції з монтажу
SRP	UPUTSTVA ZA INSTALACIJU	ARA	تعليمات التركيب						



Led colour code	740 NW
Light source energy efficiency class - High power	C

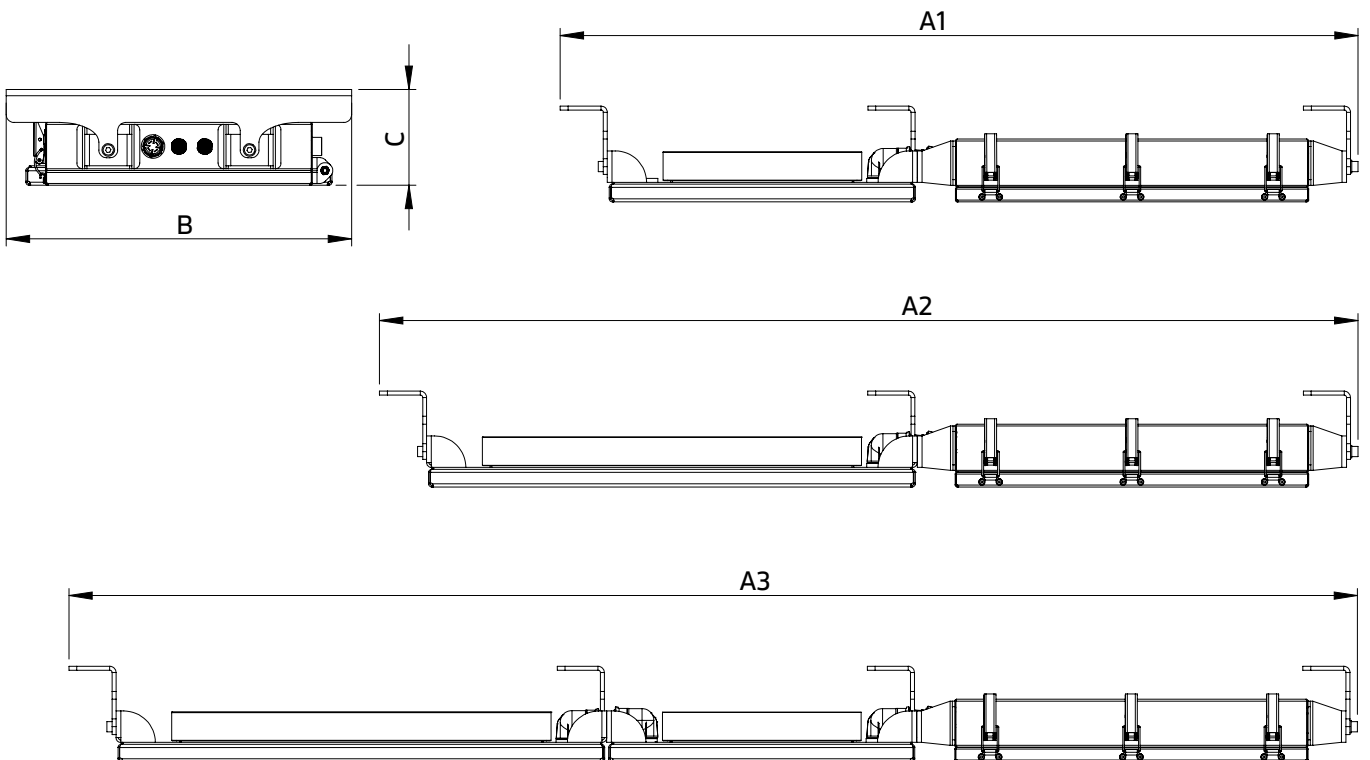


A

A1	1016.4 mm 40 in
A2	1246.4 mm 49 in
A3	1641.4 mm 65 in

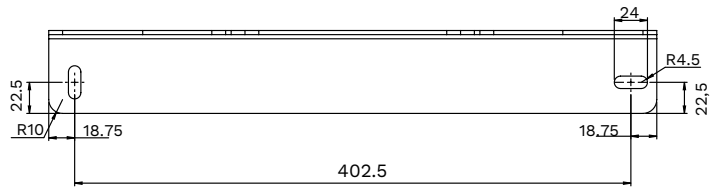
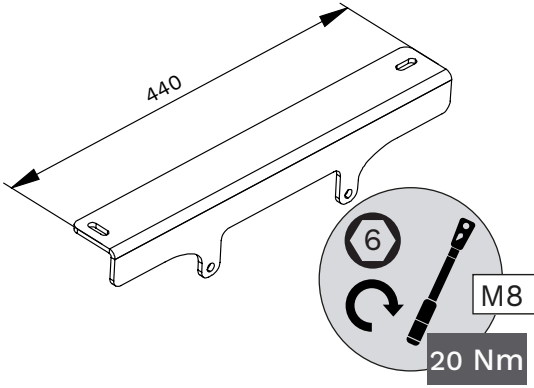
B	440 mm 17.32 in
C	122 mm 4.8 in

FINS HS	Kg / lb	COMBI 40 HD	COMBI 60 HD	COMBI 100 HD
		25 kg 55 lb	30 kg 66 lb	41 kg 90 lb



B

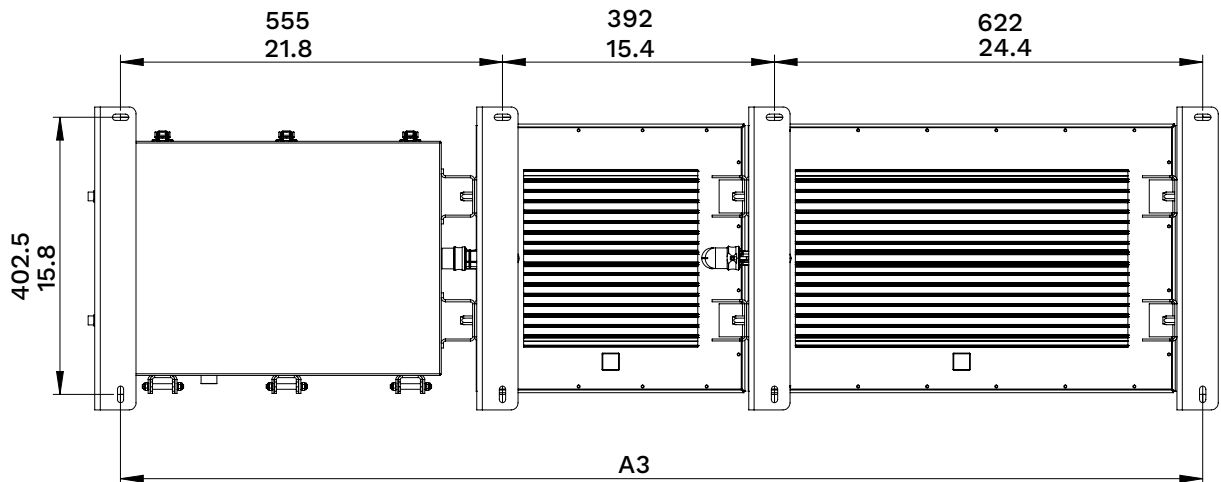
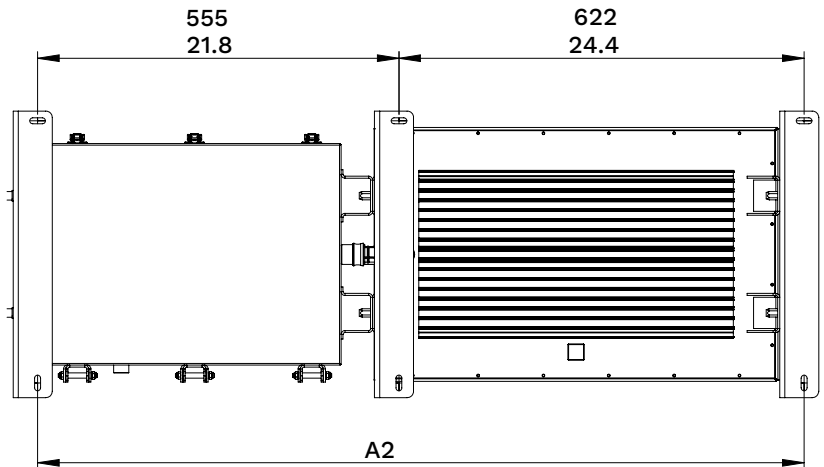
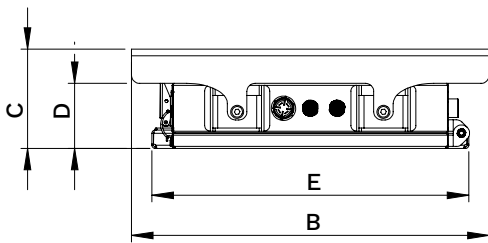
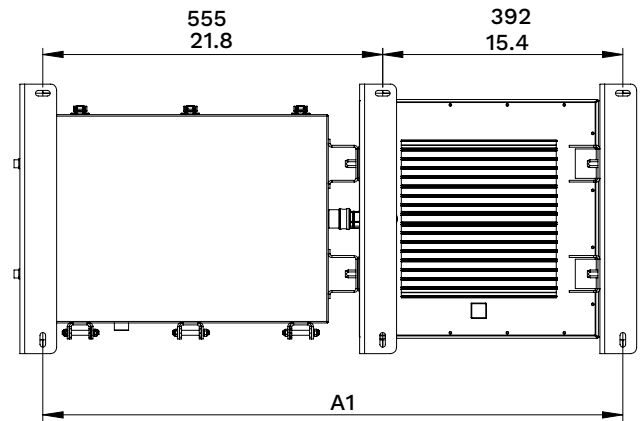
FIXED BRACKETS Ansi3G



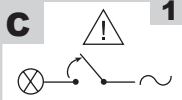
*Fixed brackets are 3G vibration compliant and available for all luminaire sizes.
 **Fixation available with 3mm or 5mm thickness bracket.

		COMBI 40 HD	COMBI 60 HD	COMBI 100 HD
FINS HS	Kg / lb	25 kg 55 lb	30 kg 66 lb	41 kg 90 lb

A1	947 mm 37.2 in	B	440 mm 17.32 in
A2	1177 mm 46.3 in	C	122 mm 4.8 in
A3	1569 mm 60 in	D	87 mm 3.4 in
		E	390 mm 15.3 in

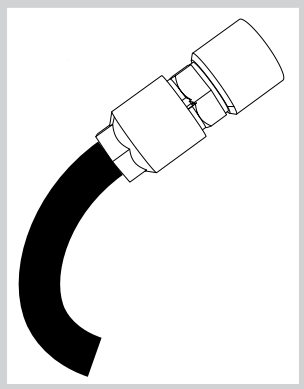


Copyright © Schreder S.A. 2024 - Executive Publisher: Stéphane Halleux - B-4000 Liège, Rue de Mons 3 (Belgium) - The information, descriptions and illustrations herein are only of an indicative nature and subject to changes without notice.



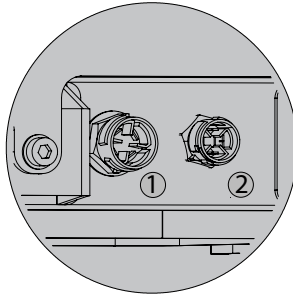
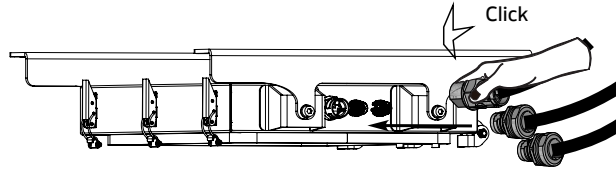
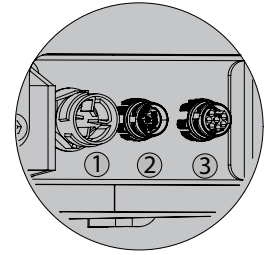
QPD CONNECTORS

Mains and Controls separated



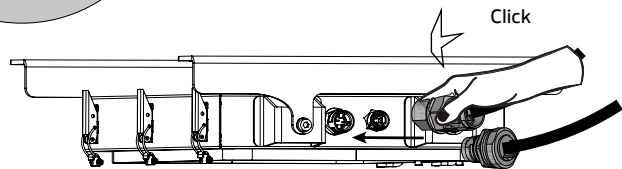
Lumgate

- 1: Main QPD 4P (M25)
- 2: M17 (BUS IN - Male)
- 3: M17 (Bus OUT - Female)



1-10V/DALI

- 1: Main QPD 4P (M25)
- 2: QPD 2P (M20)

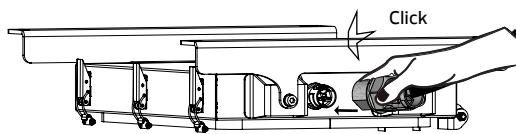
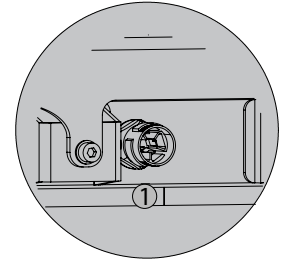


1a Mains and Controls combined

1-10V/DALI

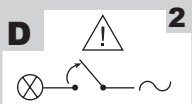
Bi-power (custom request only)*

- 1: QPD 5P (M25)



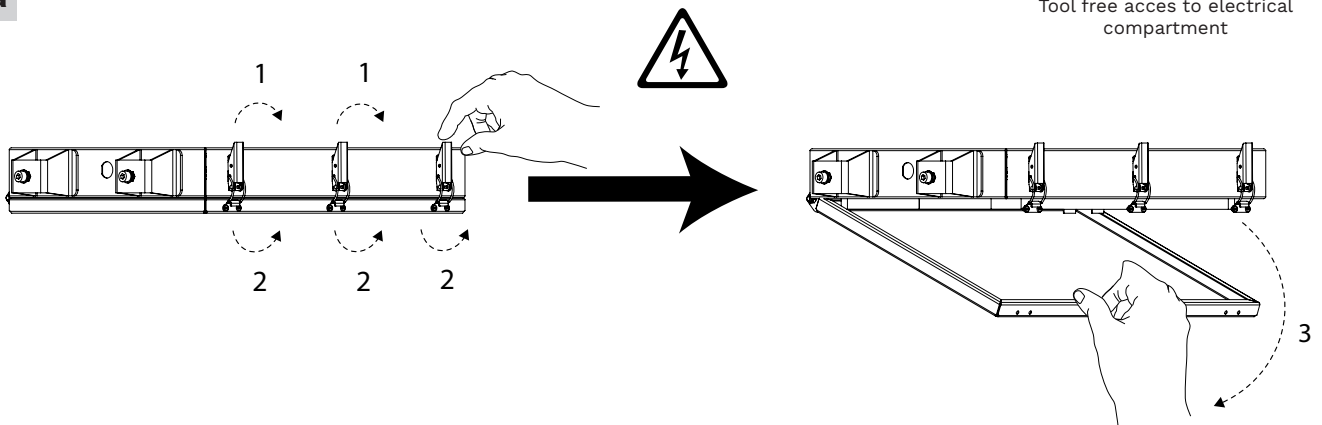
No Dim

- 1: QPD 4P (M25)



CABLE GLANDS

2a



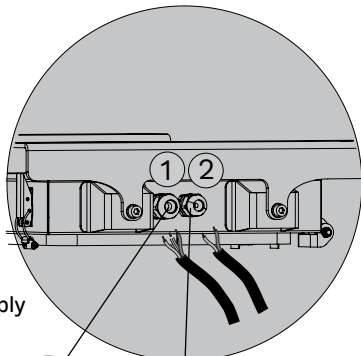
TFLEX STS can be equipped with QPD connectors or cable glands (delivered with or without cable).

2b



1-10V/DALI

- 1: M25 cable gland
- 2: M20 cable gland

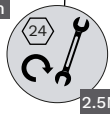


1 Mains supply

2 Controls



2.5Nm

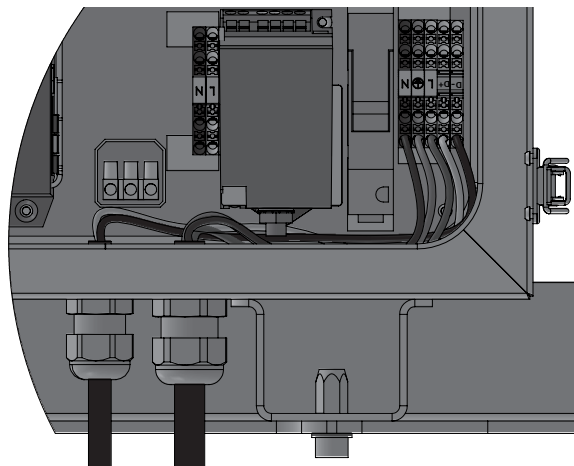


2.5Nm

WEAR
PROTECTIVE
GLOVES



1-10V / DALI	
M25 Ø6-12mm	M20 Ø5-12mm
3x2.5mm ² 3x1.5mm ²	2x1.5mm ² 2x2.5mm ²

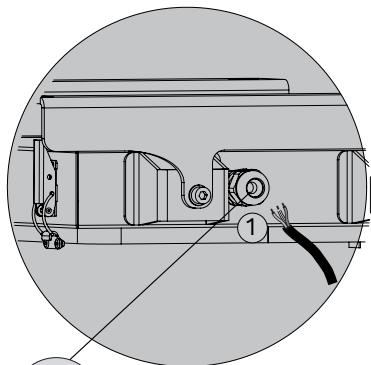


2c



1-10V/DALI
No Dim

*Bi-power (custom request only)



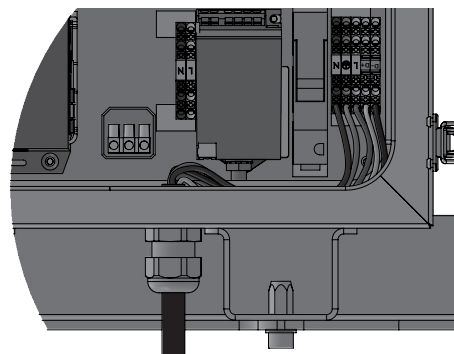
1 M25 cable gland
Mains supply and Controls



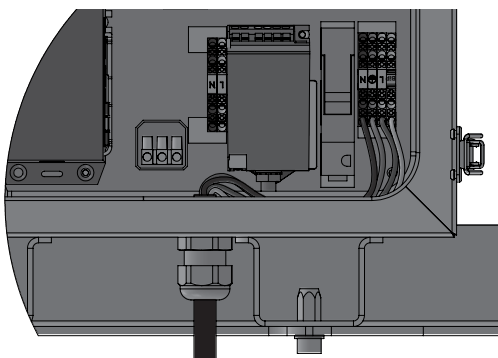
2.5Nm

1-10V / DALI	Bi-power	No Dim
M25 Ø9-14mm	M25 Ø9-14mm	M25 Ø6-12mm
5x2.5mm ² 5x1.5mm ²	4x2.5mm ² 4x1.5mm ²	3x2.5mm ² 3x1.5mm ²
*(possible with (X) x 4mm ² as terminals are 4mm ²).		

1-10V / DALI



Bi-power



No Dim

