

Schröder

ALBANY

Maxi

ENG	INSTALLATION INSTRUCTIONS	ITA	ISTRUZIONI DI INSTALLAZIONE	NLD	INSTALLATIE INSTRUCTIES	DAN	INSTALLATIONSVEJLEDNING	HUN	TELEPÍTÉSI ÚTMUTATÓ
DEU	INSTALLATIONSANLEITUNG	POL	INSTRUKCJE MONTAŻU	RUS	Инструкции по установке	RON	INSTRUCȚIUNI DE INSTALARE	CHI	安装说明
FRA	INSTRUCTIONS DE MONTAGE	SPA	INSTRUCCIONES DE INSTALACIÓN	POR	INSTRUÇÕES DE INSTALAÇÃO	SWE	INSTALLATIONSANVISNING	UKR	Інструкції з монтажу
SRP	UPUTSTVA ZA INSTALACIJU	ARA	تعليمات التركيب						

ALBANY Maxi	
A	650 mm
B	700 mm
C _x S	0.136m ²
kg	10

⚠️ | A1. SUSPENDED FIXATION INSTALLATION

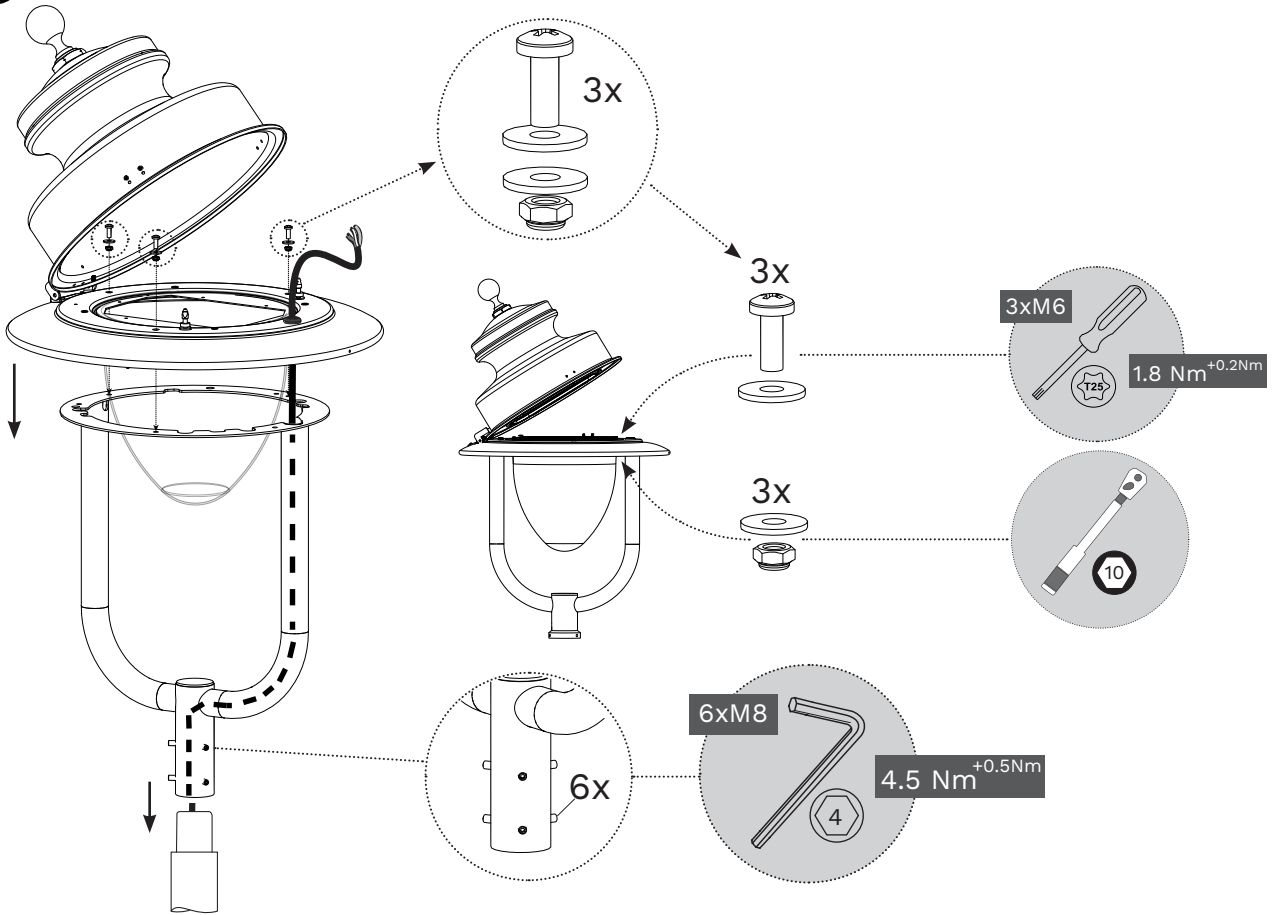
①

1. Tighten the top nut (36mm) to 50 Nm (+1.0 Nm, -0.0 Nm).
 2. Tighten the middle nut (55mm) to 50 Nm (+1.0 Nm, -0.0 Nm).
 3. Tighten the bottom nut (55mm) to 75 Nm (+1.0 Nm, -0.0 Nm).
 4. Tighten the bottom nut (46mm) to 50 Nm (+1.0 Nm, -0.0 Nm).

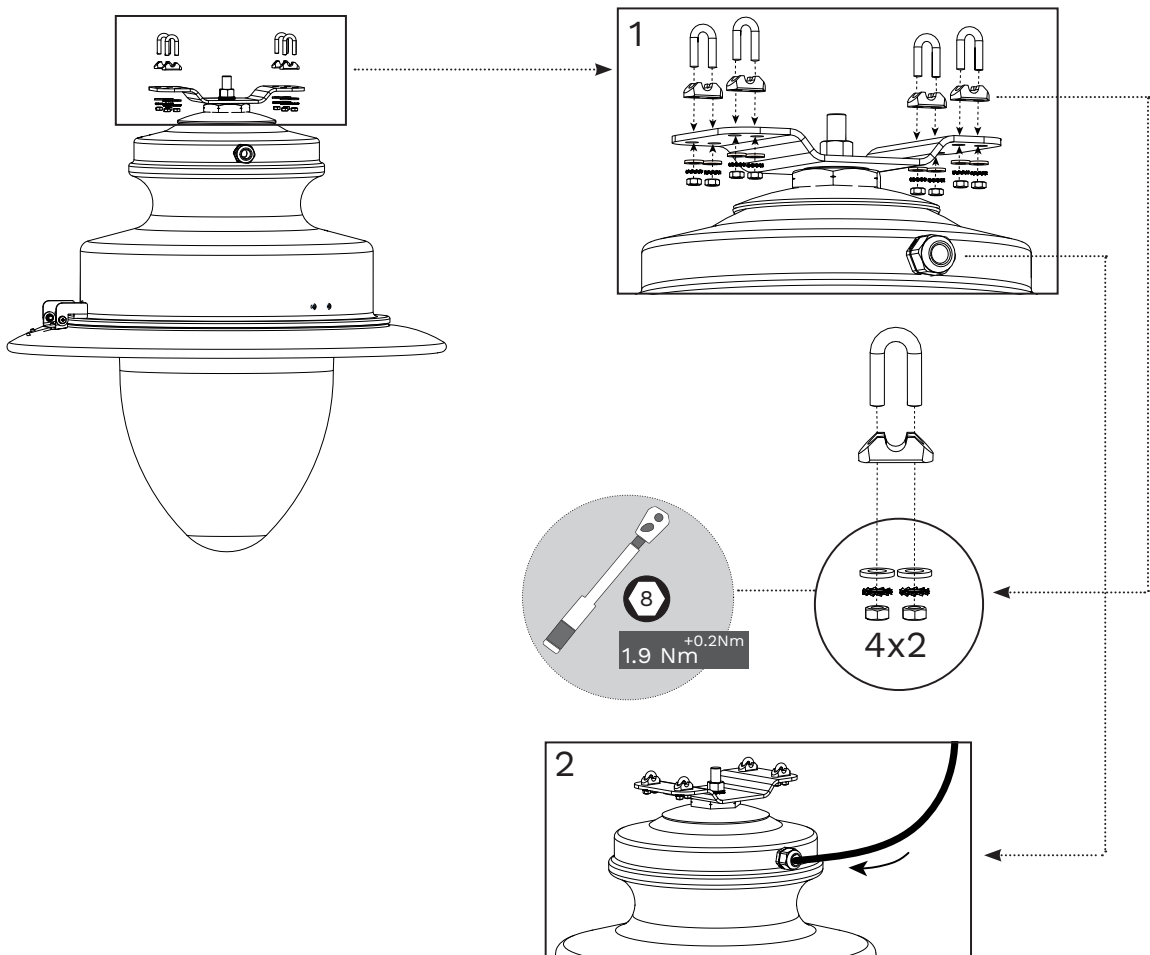
Copyright © Schröder S.A. 2024 - Executive Publisher: Stéphane Halleux - B-4000 Liège, Rue de Mons 3 (Belgium) - The information, descriptions and illustrations herein are only of an indicative nature and subject to changes without notice.

 **B. POST-TOP FIXATION INSTALLATION**

1



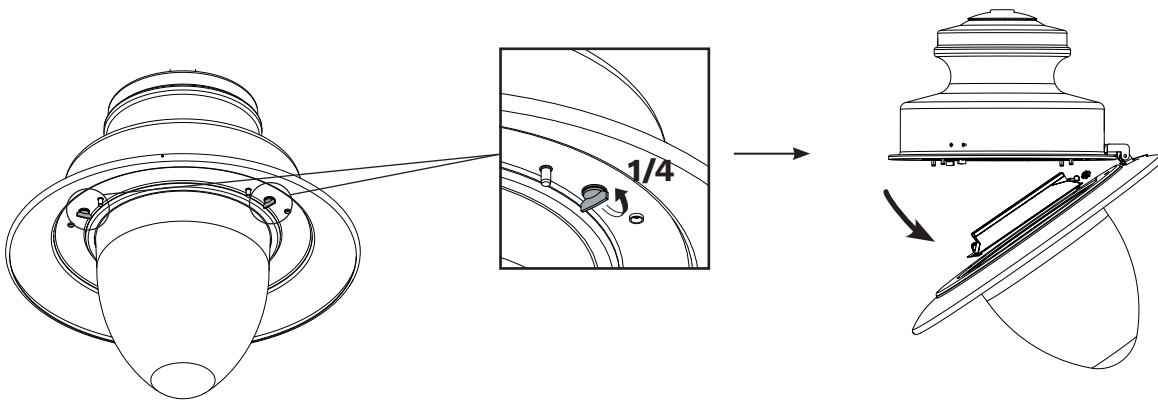
2





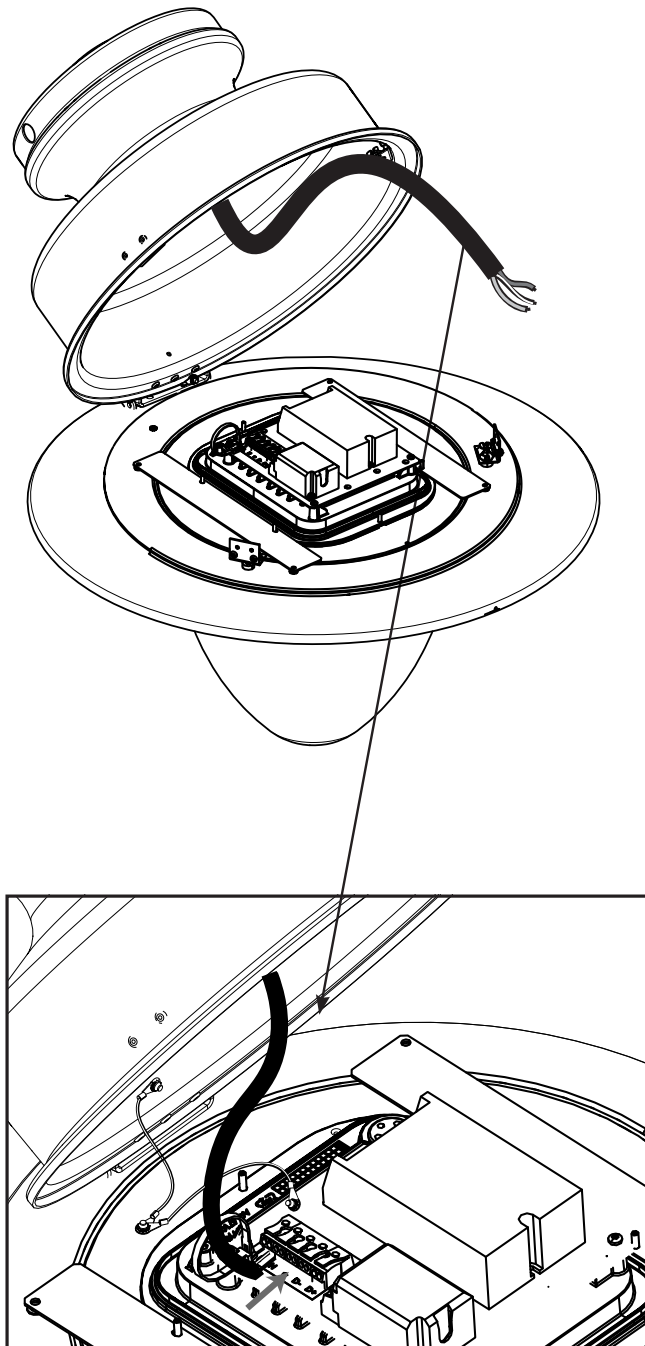
C. MAINTENANCE

①



②

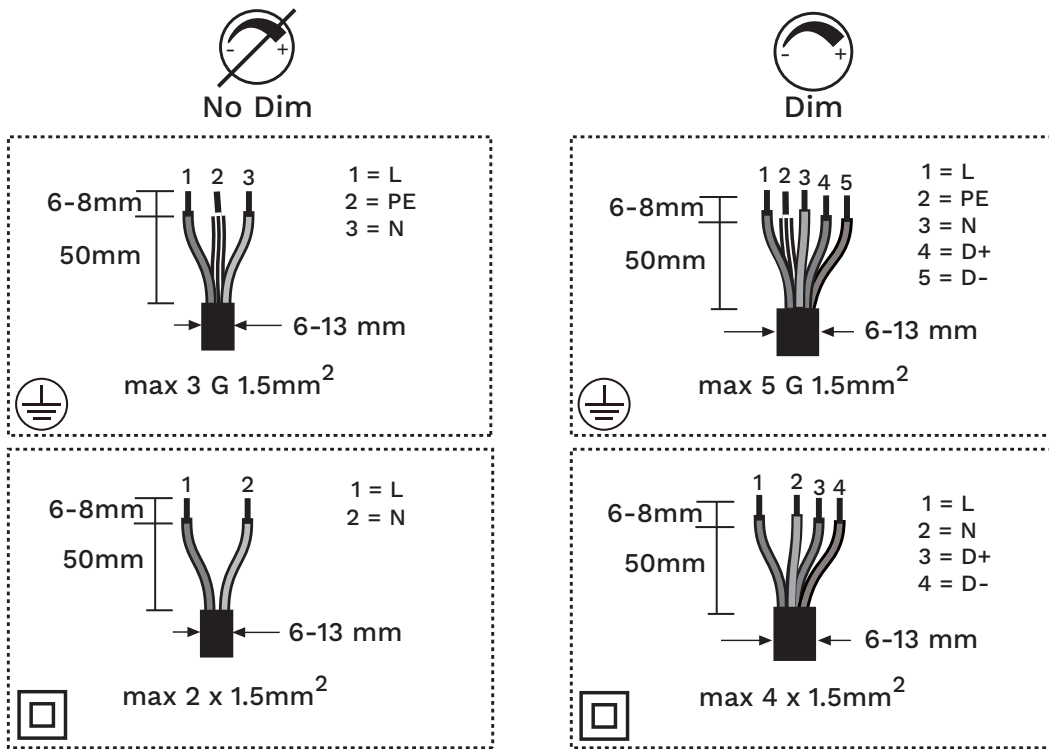
For more information regarding maintenance activities,
please refer to the Circle Led Base Installation Instructions





D. ELECTRICAL CONNECTION

1 Cable types



2

