

QILUM



Lightweight, cost-effective road luminaire

QILUM is a lightweight luminaire designed to meet the specific requirements of road lighting while reducing operating costs. It provides a perfectly adapted light with high visibility levels for typical road environments.

Thanks to its low energy consumption, this efficient luminaire provides the right lighting with fast return on investment.

Its lightweight design and easy mounting system make it a user-friendly lighting solution with reduced maintenance needs. QILUM can be equipped with a NEMA socket, opening up possibilities for easy integration with connected lighting systems along with added energy savings.

Discover QILUM, the cost-effective lighting solution that provides the perfect light for your regular road lighting applications.



Concept

QILUM is an ultra-lightweight luminaire optimised to offer the best cost-effective yet performant road lighting solution. It consists of an aluminium body mechanically sealed with a tempered glass protector. Its high tightness and mechanical levels make it a strong and reliable luminaire perfectly suited to road and street environments.

Thanks to its photometric technology, QILUM helps you generate substantial savings, ensuring low energy consumption while providing the perfect light for your road lighting applications.

This luminaire can be delivered with a NEMA socket, enabling remote management of lighting levels in any situation, at any moment. This feature allows the right light to be provided at the right time, as well as generating added energy savings for a more eco-responsible lighting installation.

QILUM is delivered pre-cabled, considerably easing installation. It offers side-entry slip-over fixation, suitable for Ø33.4mm - Ø60mm poles.

Discover the QILUM luminaire today - the efficient, connected-ready lighting solution for your road applications.



QILUM delivers high efficiency with low energy consumption.



QILUM can be equipped with a NEMA socket for added energy savings.



Lightweight, clean design ensuring easy mounting as well as subtle integration in various environments.



QILUM is delivered pre-cabled for the greatest installation ease.

TYPES OF APPLICATION

- URBAN & RESIDENTIAL STREETS
- BIKE & PEDESTRIAN PATHS
- CAR PARKS
- SQUARES & PEDESTRIAN AREAS
- ROADS & MOTORWAYS

KEY ADVANTAGES

- Compact, lightweight and easy to install
- Supplied pre-cabled to facilitate its installation
- Cost-effective solution for road lighting installations
- Connected-ready

GENERAL INFORMATION

Recommended installation height	4m to 9m 13' to 30'
Circle Light label	Score between 60 and 90 - The product meets most of circular economy requirements
Driver included	Yes
ROHS compliant	Yes

HOUSING AND FINISH

Housing	Aluminium
Optic	PMMA
Protector	Tempered glass
Housing finish	Polyester powder coating (classification 5B according to ASTM D 3359-17 @1000hrs NSS)
Standard colour(s)	RAL 7040 window grey
Tightness level	IP 66
Impact resistance	IK 08
Access for maintenance	By loosening screws on the bottom cover

OPERATING CONDITIONS

Operating temperature range (Ta)	-20°C up to +45°C / -4°F up to 113°F
----------------------------------	--------------------------------------

· Depending on the luminaire configuration. For more details, please contact us.

ELECTRICAL INFORMATION

Electrical class	Class I EU, Class II EU
Nominal voltage	220-240V – 50-60Hz
Surge protection options (kV)	20 30
Control protocol(s)	0-10V
Socket	NEMA 7-pin (optional)

OPTICAL INFORMATION

LED colour temperature	4000K (Neutral White NW 740)
Colour rendering index (CRI)	>70 (Neutral White NW 740)

LIFETIME OF THE LEDS @ TQ 25°C

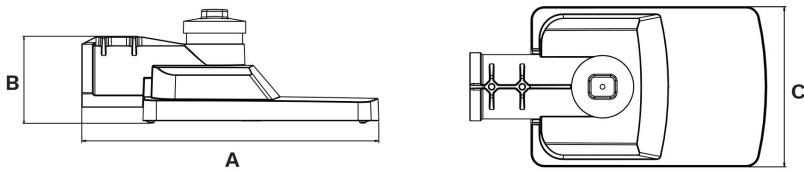
All configurations	100,000h - L70
--------------------	----------------

· Lifetime may be different according to the size/configurations. Please consult us.

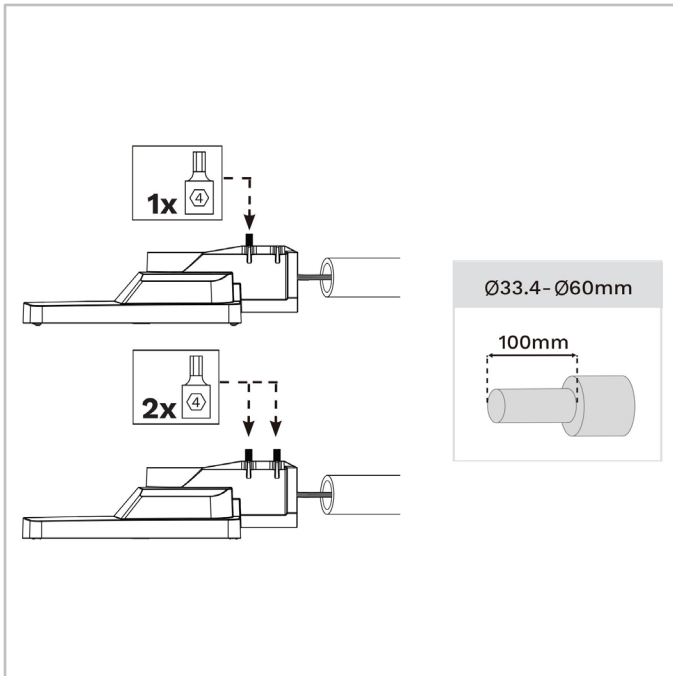
DIMENSIONS AND MOUNTING

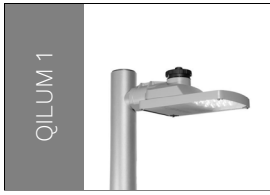
AxBxC (mm inch)	340x98.3x183 13.4x3.9x7.2
Weight (kg lbs)	2.1-2.2 4.6-4.8
Aerodynamic resistance (CxS)	0.07
Mounting possibilities	Side-entry slip-over – Ø60mm Side-entry slip-over – Ø33.4mm

· For more information about mounting possibilities, please consult the installation sheet.



QILUM | Side-entry mounting suitable for $\varnothing 33.4\text{mm}$ - $\varnothing 60\text{mm}$ poles, one or two M8 screws





	Luminaire output flux (lm)		Power consumption (W)		Luminaire efficacy (lm/W)
	Neutral White NW 740				
Number of LEDs	Min	Max	Min	Max	Up to
21	7100	7100	52	52	139

Tolerance on LED flux is $\pm 7\%$ and on total luminaire power $\pm 5\%$

7089

