

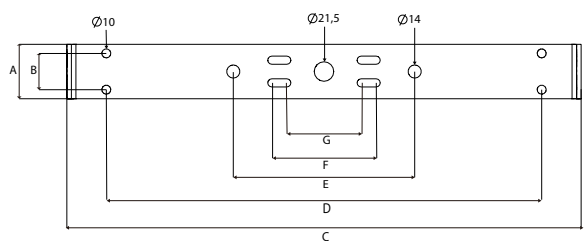
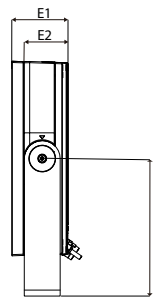
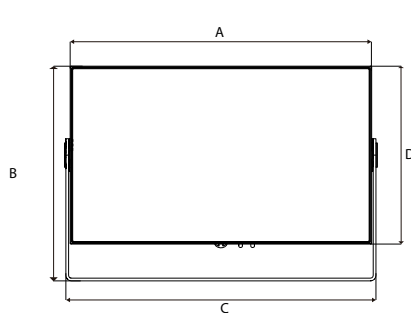
Schröder

SCULPFLOOD 150

ENG	INSTALLATION INSTRUCTIONS	ITA	ISTRUZIONI DI INSTALLAZIONE	NLD	INSTALLATIE INSTRUCTIES	DAN	INSTALLATIONSVEJLEDNING	HUN	TELEPÍTÉSI ÚTMUTATÓ
DEU	INSTALLATIONSANLEITUNG	POL	INSTRUKCJE MONTAŻU	RUS	Инструкции по установке	RON	INSTRUCȚIUNI DE INSTALARE	CHI	安装说明
FRA	INSTRUCTIONS DE MONTAGE	SPA	INSTRUCCIONES DE INSTALACIÓN	POR	INSTRUÇÕES DE INSTALAÇÃO	SWE	INSTALLATIONSANVISNING	UKR	Інструкції з монтажу
SRP	UPUTSTVA ZA INSTALACIJU	AR	تعليمات التركيب						



220-240V
50Hz

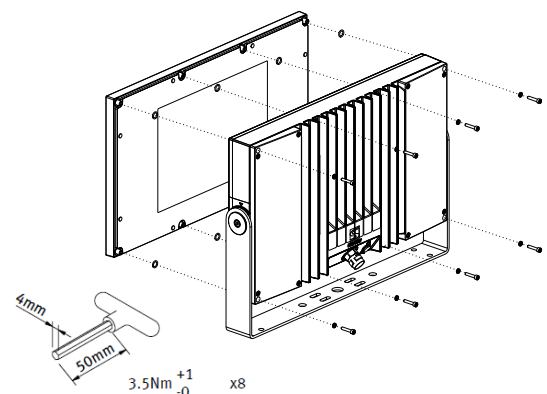
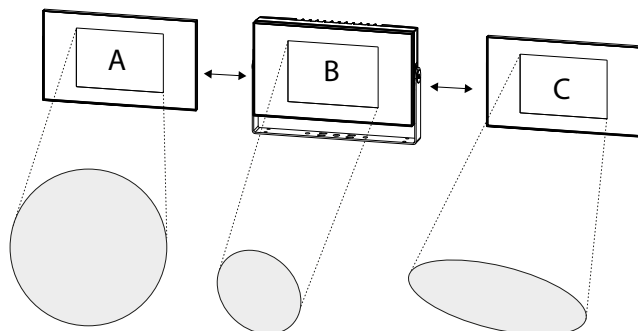
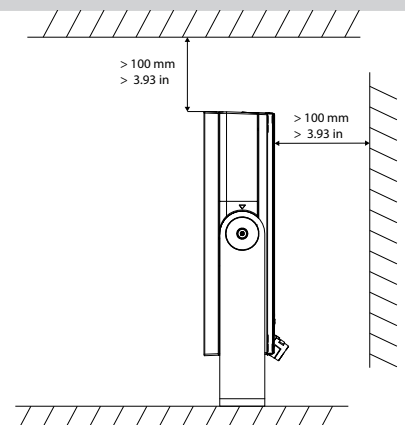
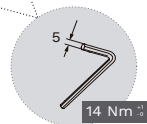
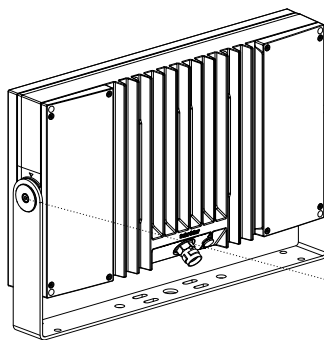
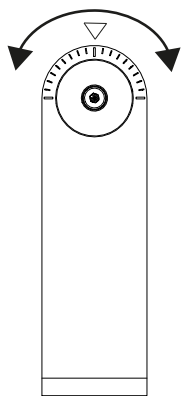


A	551 mm 21.69 in
B	393 mm 15.47 in
C	567 mm 22.32 in

D	325 mm 12.79 in
E1	94 mm 3.70 in
E2	74 mm 2.91 in
F	230 mm 9.05 in

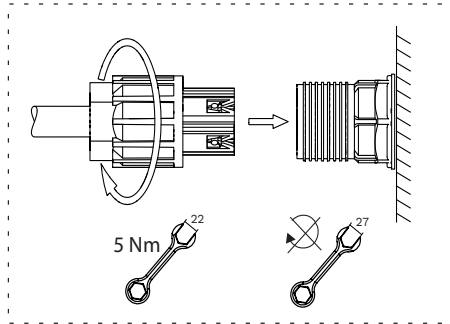
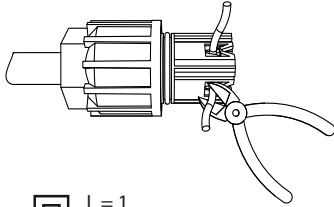
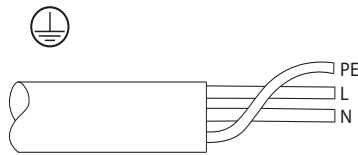
A	60 mm 2.36 in
B	40 mm 1.57 in
C	567 mm 22.32 in

D	480 mm 18.89 in
E	200 mm 7.87 in
F	115 mm 4.52 in
G	82 mm 3.22 in



220-240V 50-60Hz

1 - 2.5 mm



L = 1
N = 2

L = 1
N = 2
PE = ⊕

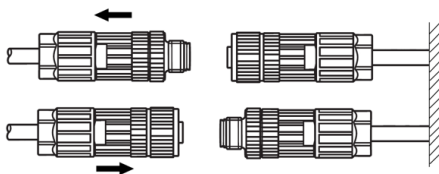
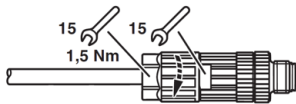
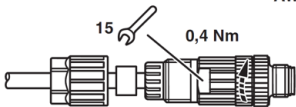
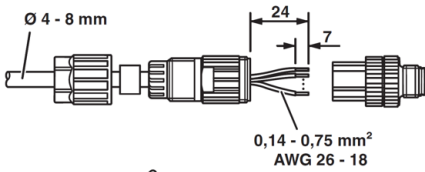
~~IP66~~

~~IP66~~

IP66

DMX

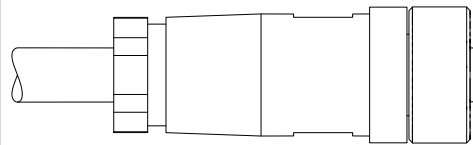
M12 A-CODE
4/5 WAY



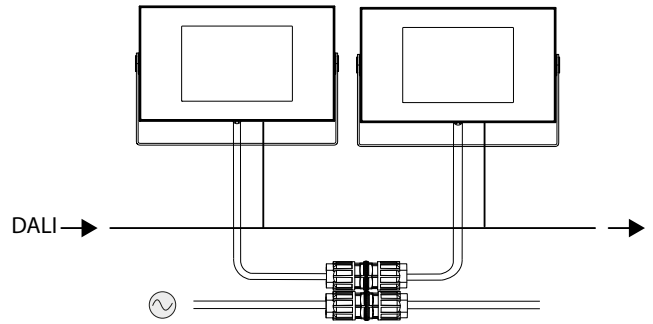
1 = GND (DMX Common)
2 = data -
3 = data +
4 =
5 =

DALI

M12 A-CODE
4/5 WAY



1 =
2 =
3 = DALI
4 = DALI
5 =



SCULP 150

