

Sylvania PARKVILLE MK2



SYLVANIA

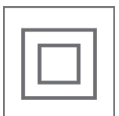
State-of-the-art high quality luminaire

The PARKVILLE MK2 is the successor to the Sylvania conventional Parkville series.

Retaining the heritage styling of the traditional Parkville luminaire, the PARKVILLE MK2 has been invigorated with a complete overhaul to provide a state-of-the-art high quality luminaire and substantial reducing operating costs through reduced energy consumption and fewer maintenance requirements. The decorative body is cast aluminium that enhances the products durability.

IP 66

IK 08



ROADS & MOTORWAYS



URBAN & RESIDENTIAL STREETS



BIKE & PEDESTRIAN PATHS



BRIDGES



LARGE AREAS



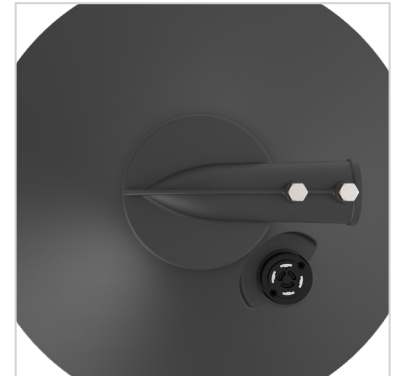
RAILWAY STATIONS & METROS

MAIN APPLICATIONS

- Roads and motorways
- Urban and residential streets
- Bike and pedestrian paths
- Bridges
- Large areas
- Railway stations and metros

KEY ADVANTAGES

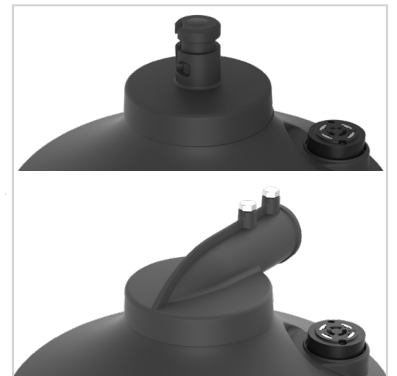
- 60W - 150W system watts
- Integral control gear
- Smart City ready
- Designed specifically to meet Australian/New Zealand Road Lighting Standards, complying with both AS/NZS 60598.2.3 & AS/NZS TS 1158.6
- Optical chamber sealed to IP66 ingress protection
- IK 08
- CRI>70
- Ambient temperature -10°C to +40°C
- Available in Colour Temperature of 4000K, 3000K & 2200K
- Options:
 - Polyester powdercoat finish in various colours
 - NEMA PE base (7 pin) or ZHAGA or combination of both
 - Side or Top entry



Die cast body with unlimited choice of colours



Flexible lens platform providing optimised light distributions with very high efficiency



Top or side mounting options available. Flexibility on site



The total luminaire has an impressive IP 66 with an IK 08 impact rating

SCS is focused on Smart Control technologies, delivering solutions to clients that enable these Smart LED luminaires to become smarter.

The equipped NEMA sockets on the luminaire connects a Smart Light Point Controller/ Node with an easy twist and lock mechanism. The Light Point Controllers enables these luminaires to be connected to a dedicated network and a User-Interface on a computer, which allows these luminaires to be remotely managed.

Key benefits:



Constant Light Output (CLO)

Additional energy savings (over 20%) by using the Constant Light Output (CLO) and Virtual Light Output (VLO) functionality



Dimming schedules

Reducing the amount of light when not required, thereby reducing light glow as well as get further energy savings



Pro-active maintenance

The system reports errors and failures as they occur, helping to repair/ restore the luminaires pro-actively



Smart City devices

Connect additional Smart City devices including Air-quality monitors, Noise sensors, Motion sensors etc



For more information on smart controls contact: info@scs-schreder.com

GENERAL INFORMATION

Recommended installation height	9 to 12m
FutureProof	Easy replacement of the photometric engine and electronic assembly on-site
Driver included	Yes
RCM Mark	Yes
ROHS compliant	Yes
Testing standard	EMC compliant: AS/NZS CISPR15 Luminaires Performance: AS/NZS 60598.1 & AS/NZS 60598.2.3 Lighting for Roads and Public Spaces: SA/SNZ TS 1158.6

HOUSING AND FINISH

Housing	Die-cast aluminium body
Protector	Tempered glass
Housing finish	Polyester powdercoated finish
Standard colour(s)	Satin Black Any other colour on request
Tightness level	IP 66
Impact resistance	IK 08
Access for maintenance	Tool-less

PERFORMANCE

Lumen efficacy	140lm/W
----------------	---------

ELECTRICAL INFORMATION

Electrical class	Class I / Class II
Nominal voltage	230V - 50Hz
Power factor (at full load)	> 0.9
Surge protection options (kV)	10kV
Electromagnetic compatibility (EMC)	AS/NZS CISPR15
Control protocol(s)	DALI / 1-10V
Socket(s)	NEMA 7 pin
Sensor(s)	Devices & sensors for smart city applications

OPTICAL INFORMATION

LED colour temperature	4000K / 3000K / 2200K
Colour rendering index (CRI)	≥ 70
Upward Light Output Ratio (ULOR)	<1%

OPERATING CONDITIONS

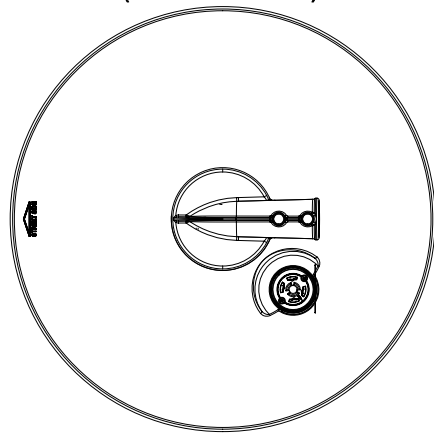
Temperature range from operation (Ta)	-10°C to +40°C
---------------------------------------	----------------

(*) Depending on the configuration of the luminaire. For more details, contact us.

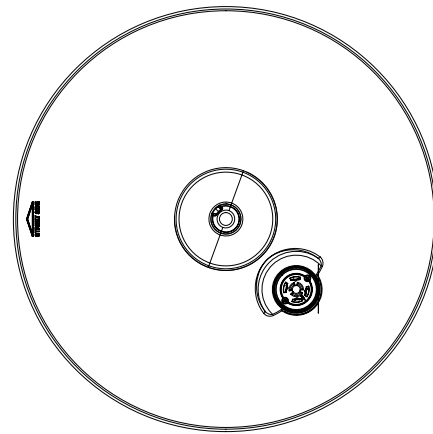
DIMENSIONS AND MOUNTING

W x H x D (mm)	662 x 662 x 408
Weight (kg)	15
Mounting possibilities	Side entry: 42mm - 48mm Top Entry: J-hook coupling as per AS/NZS1158:2015

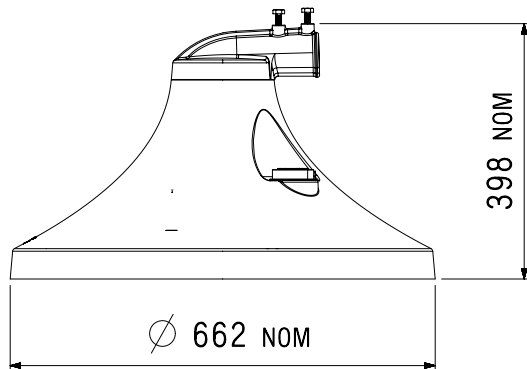
TOP VIEW
(SIDE MOUNT)



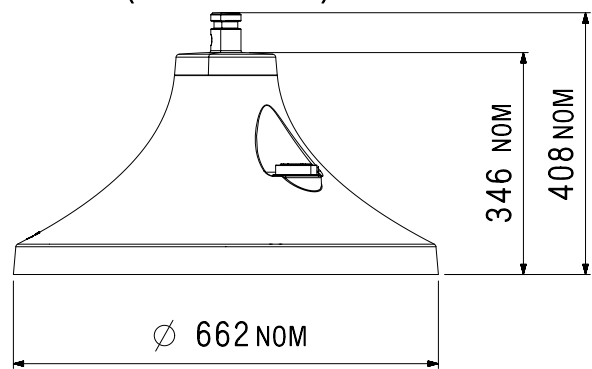
TOP VIEW
(TOP MOUNT)



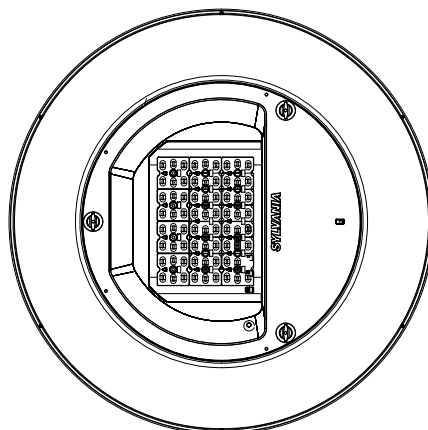
FRONT VIEW
(SIDE MOUNT)



FRONT VIEW
(TOP MOUNT)



BOTTOM VIEW





PARKVILLE MK2

Product Code	Description	Beam Dist.	System Power (W)
S3T4Z0001L60	PARKVILLE MK2 60W, 4000K, NEMA Base, Shorting cap, Satin Black	Type 3	60
S3T4Z0001L80	PARKVILLE MK2 80W, 4000K, NEMA Base, Shorting cap, Satin Black	Type 3	80
S3T4Z0001L100	PARKVILLE MK2 100W, 4000K, NEMA Base, Shorting cap, Satin Black	Type 3	100
S3T4Z0001L120	PARKVILLE MK2 120W, 4000K, NEMA Base, Shorting cap, Satin Black	Type 3	120
S3T4Z0001L150	PARKVILLE MK2 150W, 4000K, NEMA Base, Shorting cap, Satin Black	Type 3	150

SPECIFICATIONS:

STANDARD CONFIGURATION:

- Mounting Top Entry
- LED Colour Temperature 4000K
- Electrical Class I
- Control Dimming / 1-10V
- Colour NEMA 7 PIN
- Colour Satin Black

OPTIONS:

- Mounting Side Entry
- LED Colour Temperature 3000K
- Electrical Class II
- Control Complete with 3-core (Class I) or 2-core (Class II) 450/750 1.5mm² flexible cable, 15 meters long
- Colour Dimming/ DALI
- Colour NEMA Photocell
- Colour Any RAL colour and finish on request

PARKVILLE MK2 80W

