

Sylvania B2001 MK2



SYLVANIA

Classic Design. Smart Performance

The B2001 MK2 LED is designed to provide an economical and efficient method of area and street lighting.

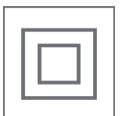
The B2001 MK2 presents the opportunity to create modern, energy efficient street lighting systems whilst maintaining a nostalgic appearance.

The B2001 MK2 is also available with a shade to provide better spill light control for sensitive areas and environmental concerns.

Apart from its decorative attraction, the B2001 MK2 provides lighting distribution to meet AS1158 Category P for minor road lighting. The body assembly is pressure die-cast aluminium with stainless steel fixings used exclusively in manufacture.

IP 66

IK 07



URBAN &
RESIDENTIAL
STREETS



BIKE &
PEDESTRIAN
PATHS



LARGE
AREAS



RAILWAY
STATIONS &
METROS

MAIN APPLICATIONS

- Urban and residential streets
- Bike and pedestrian paths
- Large areas
- Railway stations and metros

KEY ADVANTAGES

- 17W, 28W system wattage
- Integral control gear
- Smart City ready
- IP66 sealed optical and gear chamber
- Standard & Shade version available
- Spill light shields available
- IK07
- CRI>70
- Ambient temperature 40°C
- 20 year design life
- Available in Colour Temperature of 4000K, 3000K
- Limited Warranty: 5 years
- Polyester powdercoat finish, various colour available.



The body assembly is pressure die-cast aluminium with stainless steel fixings and the radial visor is injection moulded acrylic



Smart City ready - Unique heat sink design that provides protection for costly smart city nodes



Spill light control shield for sensitive areas and environmental concerns

SCS is focused on Smart Control technologies, delivering solutions to clients that enable these Smart LED luminaires to become smarter.

The equipped NEMA sockets on the luminaire connects a Smart Light Point Controller/ Node with an easy twist and lock mechanism. The Light Point Controllers enables these luminaires to be connected to a dedicated network and a User-Interface on a computer, which allows these luminaires to be remotely managed.

Key benefits:



Constant Light Output (CLO)

Additional energy savings (over 20%) by using the Constant Light Output (CLO) and Virtual Light Output (VLO) functionality



Dimming schedules

Reducing the amount of light when not required, thereby reducing light glow as well as get further energy savings



Pro-active maintenance

The system reports errors and failures as they occur, helping to repair/ restore the luminaires pro-actively



Smart City devices

Connect additional Smart City devices including Air-quality monitors, Noise sensors, Motion sensors etc



For more information on smart controls contact: info@scs-schreder.com

GENERAL INFORMATION

Recommended installation height	4m - 6m
Driver included	Yes
RCM Mark	Yes
ROHS compliant	Yes
Testing standard	EMC compliant: AS/NZS CISPR15 Luminaires Performance: AS/NZS 60598.1 & AS/NZS 60598.2.3 Lighting for Roads and Public Spaces: SA/SNZ TS 1158.6

HOUSING AND FINISH

Housing	Die-cast aluminium body
Protector	Injection moulded Acrylic
Housing finish	Polyester powdercoated finish
Standard colour(s)	Satin Black Any other colour on request
Tightness level	IP66
Impact resistance	IK07

PERFORMANCE

Lumen efficacy	Upto 102 lm/W
----------------	---------------

ELECTRICAL INFORMATION

Electrical class	Class I / Class II
Nominal voltage	230V – 50Hz
System watts	17W, 28W
Power factor (at full load)	> 0.9
Surge protection options (kV)	10kV
Electromagnetic compatibility (EMC)	AS/NZS CISPR15
Control protocol(s)	DALI / 1-10V
Socket(s)	NEMA 7 pin
Sensor(s)	Devices & sensors for smart city applications

OPTICAL INFORMATION

LED colour temperature	4000K / 3000K
Colour rendering index (CRI)	≥ 70
Upward Light Output Ratio (ULOR)	<1%
Lumen Maintenance	≥ L90 @ 88000 hours

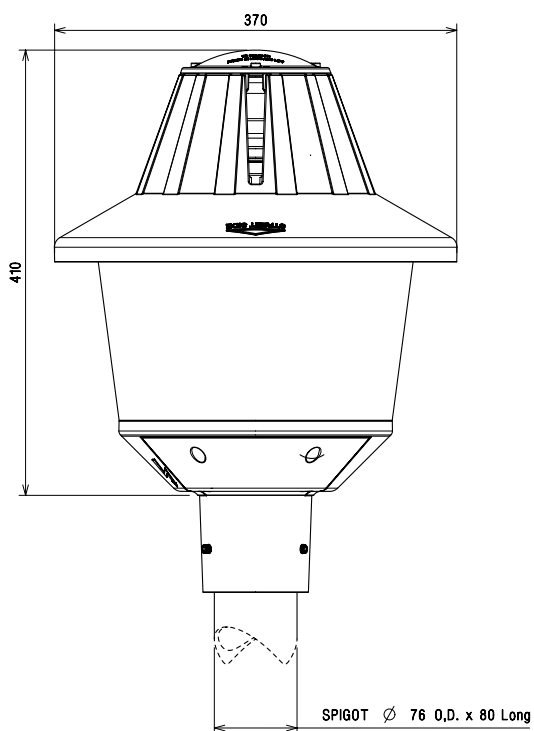
OPERATING CONDITIONS

Temperature range from operation (Ta)	-10°C to +40°C
---------------------------------------	----------------

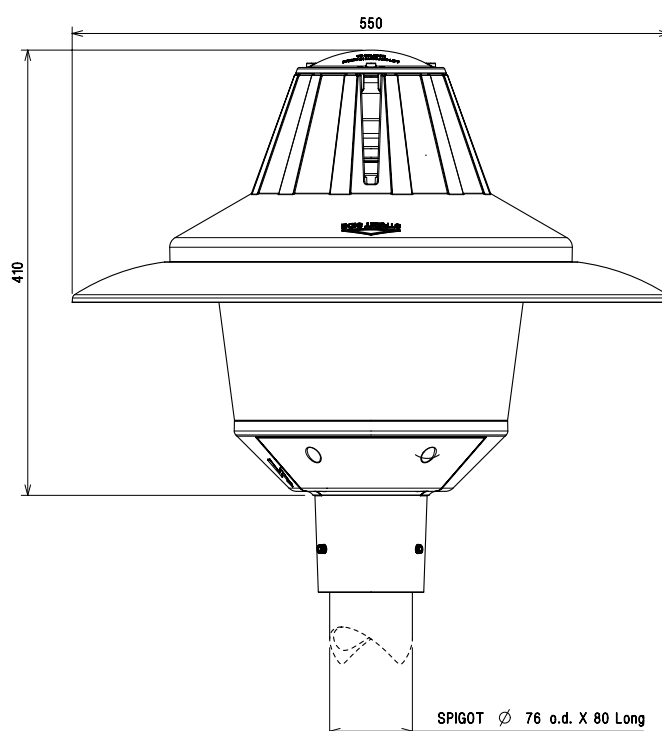
DIMENSIONS AND MOUNTING

W x H x D (mm)	370 x 410 x 355
Weight (kg)	9
Mounting possibilities	76mm post top

B2001 MK2



B2001 MK2 Shade





B2001 MK2

Product Code	Description	Beam Dist.	SystemPower (W)
BX47Z0001L17	B2001 MK2 17W, 4000K, NEMA Base, Shorting Cap, Satin Black, 5m Cable	Type 3	17
BX47Z0001L28	B2001 MK2 28W, 4000K, NEMA Base, Shorting Cap, Satin Black, 5m Cable	Type 3	28



B2001 MK2 with Shade

Product Code	Description	Beam Dist.	System Power (W)
BX470002L17	B2001 MK2 SHADE 17W, 4000K, NEMA Base, Shorting Cap, Satin Black, 5m Cable	Type 3	17
BX470002L28	B2001 MK2 SHADE 28W, 4000K, NEMA Base, Shorting Cap, Satin Black, 5m Cable	Type 3	28

SPECIFICATIONS:

STANDARD CONFIGURATION:

- LED Colour Temperature 4000K
- Electrical Class I
Complete with 3-core TPS 450/750 2.5mm² flexible cable, 5 meters long
- Control Dimming / 1-10V
NEMA 7 PIN
NEMA Shorting Cap
- Colour Satin Black

OPTIONS:

- LED Colour Temperature 3000K
- Electrical Class II
- Control Dimming/ DALI
NEMA Photocell
- Colour Any RAL colour on request

ACCESSORIES

BX00002	B2001 MK2 Bird Spike
BX00001	B2001 MK2 Glare Shield

B2001 MK2 17W

