

RAPTOR 3



Shaping the future of sports floodlighting

The ultimate Aussie-engineered sports floodlight is a high-performing floodlight with leading optical control and innovative design. RAPTOR 3 will provide better spill control and less windage for sports venues as well as other large areas. With razor-sharp reflector systems and asymmetric distribution – four new beam options, the RAPTOR 3 is born to perform.

Its versatile mounting system, with its heavy-duty trunnion arm, RAPTOR 3 is compatible with under and over slung mounting arrangement.

RAPTOR 3 has cutting-edge technology to offer uniformity and visual comfort for players, spectators, and neighbours (low glare and minimised light spill). RAPTOR 3 is fully compatible with Schröder ITERRA Sports Control System.

IP 66

IK 06



SPORTS



CAR PARKS



LARGE
AREAS



INDUSTRIAL
AREA
LIGHTING



TRANSIT
HUBS



AIRPORT
APRONS

MAIN APPLICATIONS

- Sports
- Car parks
- Large areas
- Industrial
- Airport aprons
- Transit hubs

KEY ADVANTAGES

- Designed in Australia for Australian and New Zealand conditions
- High lumen efficacy over 135lms/w
- Precision reflector systems, designed to control spill light
- Asymmetric distribution, with four beam options
- Available in CCT 5700K & 4000K CRI 70
- Two driver models available:
 - Electronic DALI 2 240-400Vac IP66, can be installed remotely up to 200m or located on trunnion arm with mounting brackets
 - Hybrid Driver installed remotely up to 2KM, 240V and 415V Suitable for ambient temperatures up to 70°C
- Compatible with Schröder ITERRA Sports Control System, when used with the Electronic DALI 2 Driver
- Die-cast aluminium body, UV stabilized powder coated for durability
- Colour: black heatsink with grey frame
- Optimal reliability with 5 year warranty
- All exposed cabling has bird proof conduit
- Supplied with bird spikes



Precision optical design, controlling spill light



Precise aiming with protractor and locking device



Heavy duty trunnion arm, suitable for under and over slinging



Die cast aluminium heat sink for excellent thermal management

GENERAL INFORMATION

Recommended installation height	15m to 40m 50' to 130'
Driver included	No
RCM Mark	Yes
ROHS compliant	Yes
Testing standard	AS/NZS 60598.1:2017

HOUSING AND FINISH

Housing	Die-cast LM6 aluminium frame
Optic	High temperature vacuum metalised reflector
Protector	Tempered glass
Housing finish	Powder coated finish
Standard colour(s)	RAL9011
Tightness level	IP 66
Impact resistance	IK 06

PERFORMANCE

Lumen efficacy	135lms/w
----------------	----------

ELECTRICAL INFORMATION

Electrical class	Class 1
Nominal voltage	240V/415V – 50Hz/60Hz
Power factor (at full load)	>0.98 - Electronic DALI 2 Driver >0.95 - Hybrid Driver
System wattage	4 module 1200W
Surge protection (kV)	10kV
Electromagnetic compatibility (EMC)	AS/NZSCISPR15, AS/NZS 60598.1
Control protocol(s)	DALI-2 and 50% switch DIM for Hybrid Gear
Associated control system(s)	Schröder ITERRA
Sensor(s)	Devices & sensors for smart city applications

OPTICAL INFORMATION

LED colour temperature	5700K & 4000K
Colour rendering index (CRI)	> 70
Asymmetrical distributions	A0 Extra Narrow, A1 Narrow, A2 Medium, A3 Wide

OPERATING CONDITIONS

Temperature range from operation (Ta)	-20°C to + 40°C
---------------------------------------	-----------------

LIFETIME OF THE LEDS @ TA 40°C

All configurations	120,000h - L90
--------------------	----------------

DIMENSIONS AND MOUNTING

L x W x H (mm) 741 x 594 x 171

Weight (kg) 28.3

Aerodynamic resistance 0.115 (at tilt of 0°)

Windage (m²) 0.17 (at tilt of 13°)

Raptor with A0 hood:

0° = 0.1324

5° = 0.139

10° = 0.176

15° = 0.211

Raptor with A1, 2, 3 hood:

0° = 0.1664

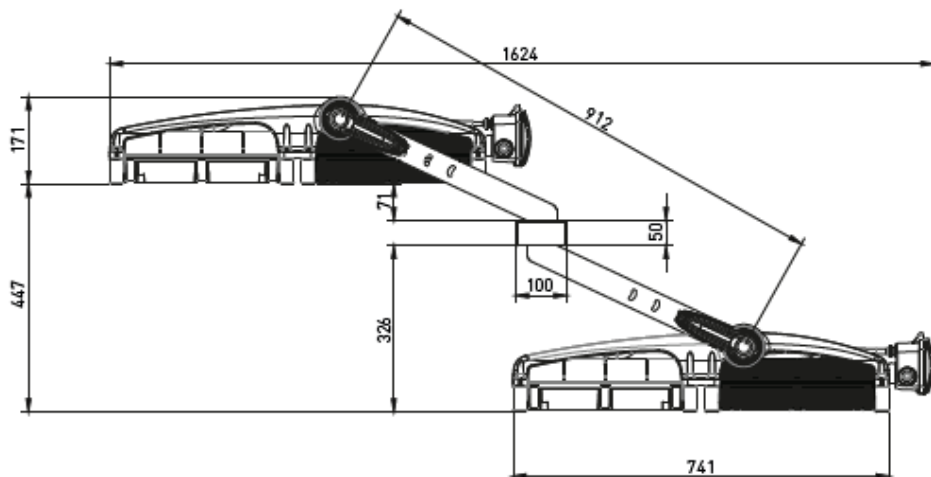
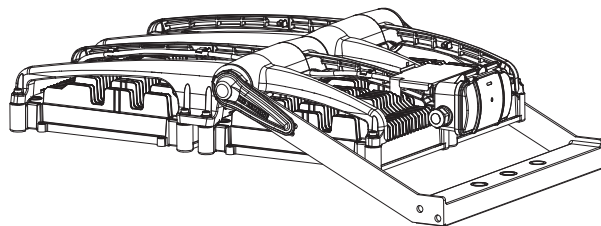
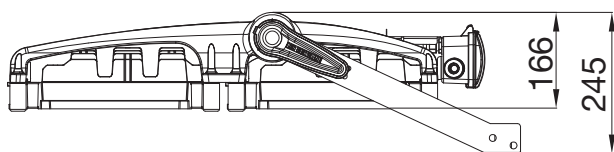
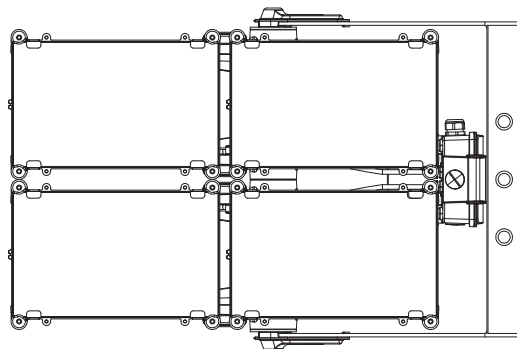
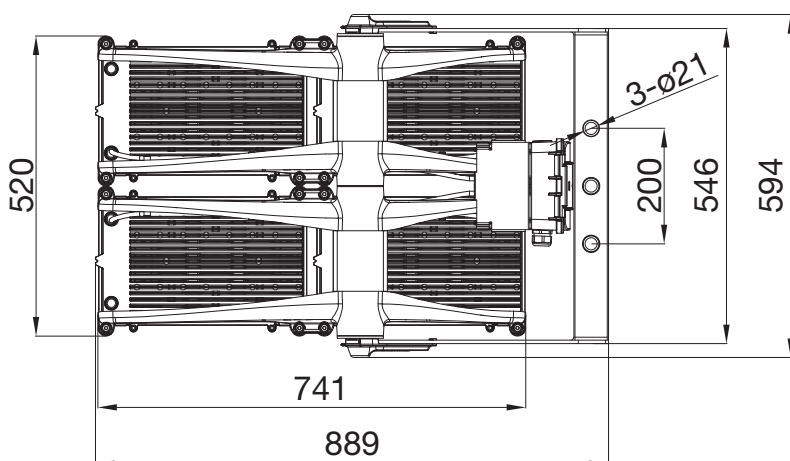
5° = 0.181

10° = 0.224

15° = 0.266



Mounting possibilities Galvanised trunnion arm for under and over slinging





Product Code	Name	Beam Dist.	Colour Temp	System Power (W)
SR4H757A0LG3	RAPTOR 3 1200W A0 BEAM CRI70 CCT5700K NO GEAR	Asymmetric A0 Extra Narrow	5700	1200
SR4H757A1LG3	RAPTOR 3 1200W A1 BEAM CRI70 CCT5700K NO GEAR	Asymmetric A1 Narrow	5700	1200
SR4H757A2LG3	RAPTOR 3 1200W A2 BEAM CRI70 CCT5700K NO GEAR	Asymmetric A2 Medium	5700	1200
SR4H757A3LG3	RAPTOR 3 1200W A3 BEAM CRI70 CCT5700K NO GEAR	Asymmetric A3 Wide	5700	1200
SR4H740A0LG3	RAPTOR 3 1200W A0 BEAM CRI70 CCT4000K NO GEAR	Asymmetric A0 Extra Narrow	4000	1200
SR4H740A1LG3	RAPTOR 3 1200W A1 BEAM CRI70 CCT4000K NO GEAR	Asymmetric A1 Narrow	4000	1200
SR4H740A2LG3	RAPTOR 3 1200W A2 BEAM CRI70 CCT4000K NO GEAR	Asymmetric A2 Medium	4000	1200
SR4H740A3LG3	RAPTOR 3 1200W A3 BEAM CRI70 CCT4000K NO GEAR	Asymmetric A3 Wide	4000	1200

ACCESSORIES - RAPTOR 3 Hood Accessories

SR4HAPNHDA0G3	RAPTOR 3 1200 APRON HOOD A0	L 786mm x W 520mm x H 45mm	3.5kg
SR4HAPNHDA1G3	RAPTOR 3 1200 APRON HOOD A1/A2/A3	L 936mm x W 520mm x H110mm	4.5kg



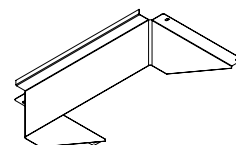
APRON HOOD A0



APRON HOOD A1/A2/A3

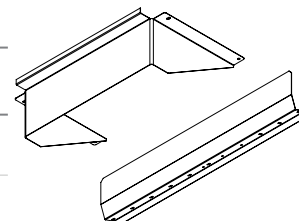
ACCESSORIES - BACK SHIELD

SR4HBACKSHIELD	RAPTOR 1200 BACK SHIELD KIT	L 515 x W 315 x H 151mm	1.15kg
----------------	-----------------------------	-------------------------	--------



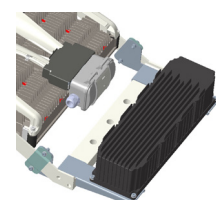
ACCESSORIES - SIDE AND BACK SHIELD KIT

SR4HSIDESHIELD	RAPTOR 1200 SIDE AND BACK SHIELD KIT	L 800 x W 315 x H 155mm	2.4kg
----------------	--------------------------------------	-------------------------	-------



ACCESSORIES - DRIVER MOUNTING BRACKET

SR4HDRV BKT	RAPTOR 3 1200W Driver Mounting Bracket	5.5kg
-------------	--	-------





ELECTRONIC CONTROL GEAR

- Nominal input voltage: 240-400Vac
- 2 independent output channels
- Output current range 1250-2100 mA (per output channel)
- 5C+E cable between driver and luminaire
- DALI-2 programmable
- Output voltage range 200 – 400 VDC (per output channel)
- IEEE 1789 Flicker Recommended Practice Compliant
- Max remote distance 200 meters
- Surge level 10 kV for both common mode and differential mode
- Adaptable thermal protection for LED Modules
- Lifetime: >50.000 hours at maximum load
- Short circuit, overpower, over voltage protections
- Remote firmware update
- IP66 enclosure

EXTREME HYBRID CONTROL GEAR

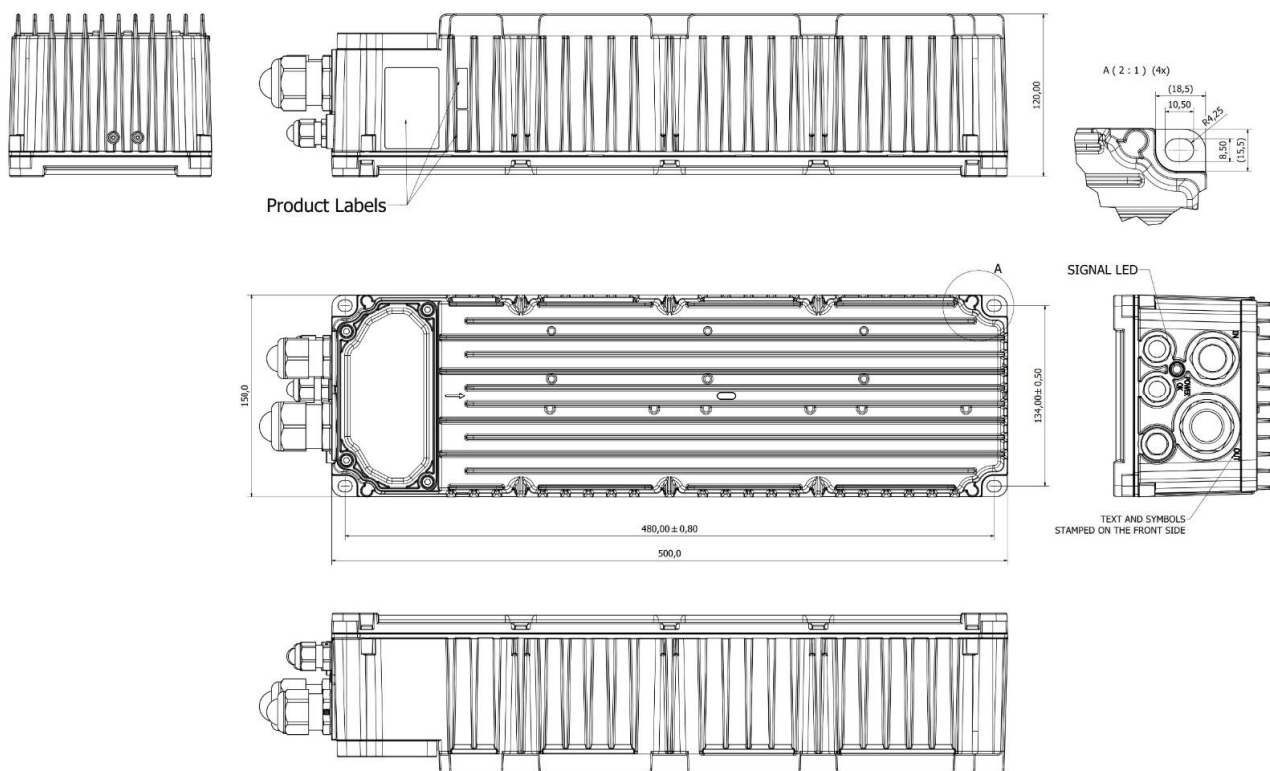
- IP20 and IP65 models available
- 240V and 415V options
- Optional accessory offering 50% dimming
- 2C+E cable between driver and luminaire
- Maximum distance between gear and floodlight:
 - 1.5mm² cable = 500m
 - 2.5mm² cable = 850m
 - 4.0mm² cable = 1400m
 - 6.0mm² cable = 2100m
- High immunity to surges, low inrush /leakage current
- Requires a two core cable + Earth between the driver and luminaire, providing an ideal solution for HID Floodlight retrofits. Installation of earthing is required as per Australian Standards
- The Extreme LED Hybrid control gear has been designed to match the footprint of the existing HID control gear
- For new installations, the distance between the control gear and the floodlight has been greatly improved. This offers benefits for both installation and maintenance
- Proven to offer protection in extreme environments with up to 70 °C ambient temperature, for IP20 GEN 2 model. Offering high immunity to surges and low inrush/leakage current

Voltage (V)	Dimming	Code Number
240 (HYBRID CONTROL GEAR)	Optional Switch Dimming Signal: OFF=100% ON=50%	SR4HERWP01T (IP65)
		SR4HERGT01TG2 (IP20)
415 (HYBRID CONTROL GEAR)	Optional Switch Dimming Signal: OFF=100% ON=50%	SR4HFRWP01T (IP65)
		SR4HFRGT01TG2 (IP20)
240-400 (ELECTRONIC DRIVER)	DALI-2	02-07-677

DIMENSIONS AND ORDER CODES

Product Code	Name	Control	Voltage (V)	Weight (kg)	Dimensions LxWxH(mm)
02-07-677	Electronic Driver	DALI-2	240-400	5.77	500 x 150 x 120

Electronic Control Gear Dimensions



DIMENSIONS AND ORDER CODES

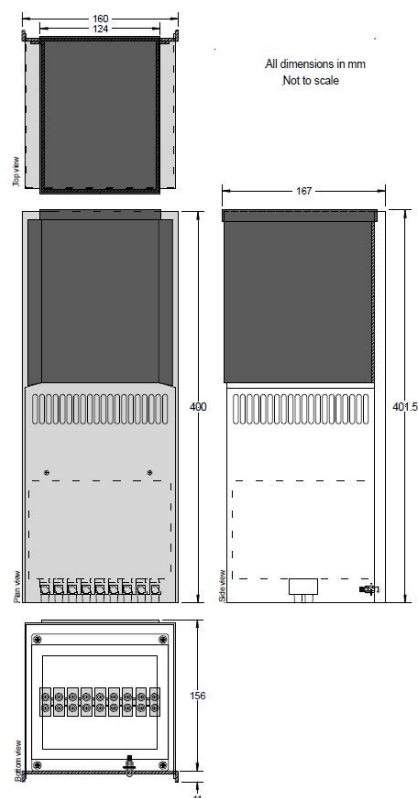
Product Code	Name	Optional Control	IP Rating	Voltage (V)	Weight (kg)	Dimensions LxWxH(mm)
SR4HERWP01T	W/P BOX CONTROL GEAR RAPTOR 3 WIRE 240V 10KV SURGE IMMUNITY	SWITCH DIMMING	IP 65	240	19.5	426 x 235 x 285
SR4HERGT01TG2	G/TRAY CONTROL GEAR RAPTOR 3 WIRE 240V 10KV SURGE IMMUNITY	SWITCH DIMMING	IP 20	240	16.5	400 x 160 x 167
SR4HFRWP01T	W/P BOX CONTROL GEAR RAPTOR 3 WIRE 415V 10KV SURGE IMMUNITY	SWITCH DIMMING	IP 65	415	19.5	426 x 235 x 285
SR4HFRGT01TG2	G/TRAY CONTROL GEAR RAPTOR 3 WIRE 415V 10KV SURGE IMMUNITY	SWITCH DIMMING	IP 20	415	16.5	400 x 160 x 167

ACCESSORIES

Product Code	Name	Voltage (V)
SDIM-400-A1	Switch Dim Interface 380-430V	415
SDIM-230-A1	Switch Dim Interface 220-250V	240
PSU-003-A1	220-430VAC/12 DC Dim Signal PSU	240/415

IP20 Control Gear Dimensions

SR4HERGT01T
SR4HFRGT01T



IP65 Control Gear Dimensions

SR4HERWP01T
SR4HFRWP01T

