

SYLVANIA SIRKEL



SYLVANIA

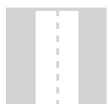
Flexibility meets performance

The Sylvania SIRKEL LED luminaire is a multifunction energy saving luminaire that offers several LED configurations and mounting options to facilitate use in street lighting, garden and park lighting, area illumination, floodlighting and minor pedestrian underpasses.

The unit features an innovative tool-less entry easy service housing with vandal resistant IK08 high transmittance glass protecting a LED module that may be ordered in a variety of options from 24-72 LEDs.

The luminaire complies with Australian Standards allowing it to replace traditional high wattage HID luminaires with ASNZS 1158 compliance.

The SIRKEL LED features a body of corrosion resistant die-cast aluminium with a polyester powder coat finish.



ROADS & MOTORWAYS



BRIDGES



LARGE AREAS



RAILWAY STATIONS & METROS



SQUARES & PEDESTRIAN AREAS

MAIN APPLICATIONS

- Roads and motorways
- Bridges
- Large areas
- Railway stations and metros
- Squares and pedestrian areas

KEY ADVANTAGES

- Compliant to AS/NZS CISPR15, SA/SNZ TS 1158.6 and AS/NZS 60598.1
- Corrosion resistant die-cast aluminium housing with polyester powder coat finish
- Tool-less access gear tray constructed in high thermal and mechanical resistance thermoplastic material
- Standard colour RAL7022
- IP66 ingress protection
- IK08
- CRI > 70
- Available as a Class I or II product
- Colour Temp: 4000K (Standard) & 3000K
- Multiple mounting options



Multiple optics for various applications



Tool-less entry for quick install and maintenance



Post-top yoke to enhance the look



90° Tilt Adjustment Adapter for Spigots. Ensures that correct tilt can be achieved if the original pole outreach angle is incorrect.

SCS is focused on Smart Control technologies, delivering solutions to clients that enable these Smart LED luminaires to become smarter.

The equipped NEMA sockets on the luminaire connects a Smart Light Point Controller/ Node with an easy twist and lock mechanism. The Light Point Controllers enables these luminaires to be connected to a dedicated network and a User-Interface on a computer, which allows these luminaires to be remotely managed.

Key benefits:



Constant Light Output (CLO)

Additional energy savings (over 20%) by using the Constant Light Output (CLO) and Virtual Light Output (VLO) functionality



Dimming schedules

Reducing the amount of light when not required, thereby reducing light glow as well as get further energy savings



Pro-active maintenance

The system reports errors and failures as they occur, helping to repair/ restore the luminaires pro-actively



Smart City devices

Connect additional Smart City devices including Air-quality monitors, Noise sensors, Motion sensors etc



For more information on smart controls contact: info@scs-schreder.com

GENERAL INFORMATION

Recommended installation height	4m to 12m 13' to 39'
FutureProof	Easy replacement of the photometric engine and electronic assembly on-site
Driver included	Yes
RCM Mark	Yes
ROHS compliant	Yes
Testing standard	EMC compliant: AS/NZS CISPR15 Luminaires Performance: AS/NZS 60598.1 & AS/NZS 60598.2.3

HOUSING AND FINISH

Housing	Pressure die cast aluminium body
Optic	Polycarbonate
Protector	Tempered glass
Housing finish	Dark grey polyester powdercoat finish as standard (other colours available on request)
Standard colour(s)	RAL 7022 Any other RAL color on request
Tightness level	IP66
Impact resistance	IK08
Access for maintenance	Tool-less

PERFORMANCE

Lumen efficacy	122-132lm/s/w
----------------	---------------

ELECTRICAL INFORMATION

Electrical class	Class 1
Nominal voltage	220V-240V – 50Hz/60Hz
Power factor (at full load)	> 0.9
System wattage	30W-150W
Surge protection options (kV)	10kV
Electromagnetic compatibility (EMC)	AS/NZS CISPR15
Control protocol(s)	DALI
Socket(s)	NEMA 7 pin or Zhaga BOOK 18 4 pin receptacle with 24V control
Sensor(s)	Devices & sensors for smart city applications

OPTICAL INFORMATION

LED colour temperature	3000K, 4000K
Colour rendering index (CRI)	> 70
Upward Light Output Ratio (ULOR)	0%

OPERATING CONDITIONS

Temperature range from operation (Ta)	-10°C up to +40°C
---------------------------------------	-------------------

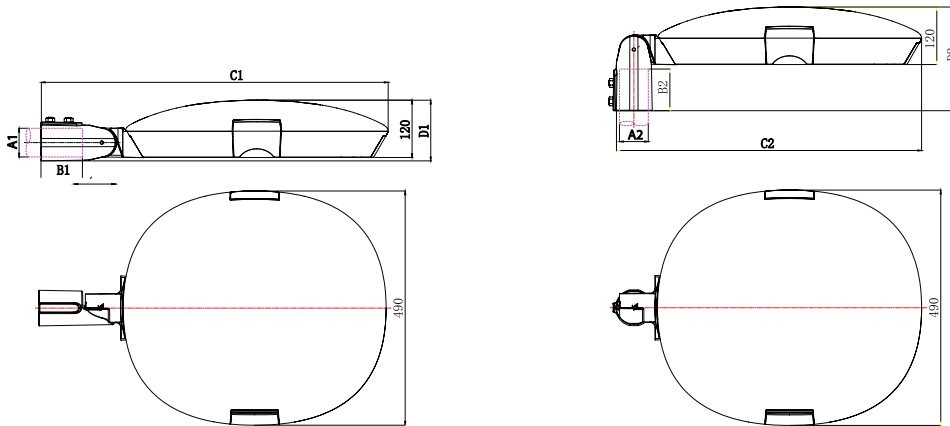
(*). Depending on the configuration of the luminaire. For more details, contact us.

LIFETIME OF THE LEDS @ TQ 40°C

All configurations	88,000h - L90
--------------------	---------------

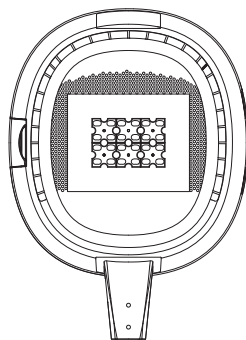
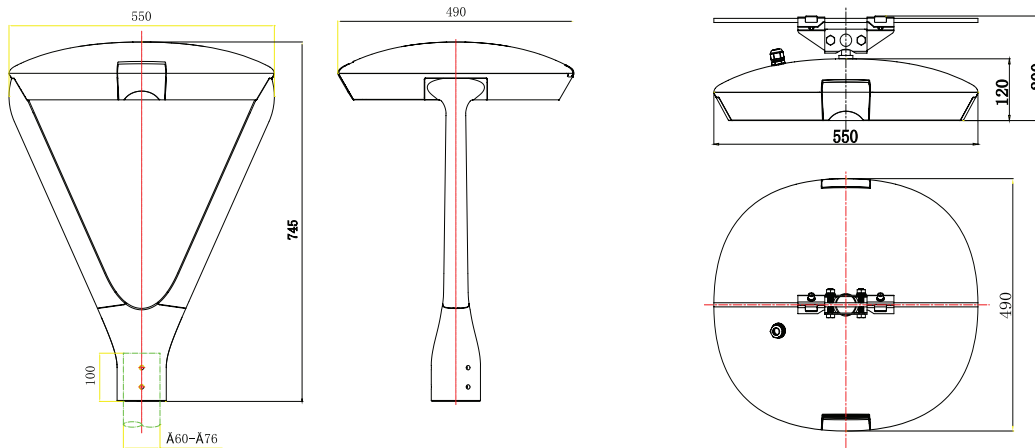
DIMENSIONS AND MOUNTING

L x W x H (mm)	490 x 550 x 127
Weight (kg)	10.5
Mounting possibilities	60mm spigot entry, post-top or catenary

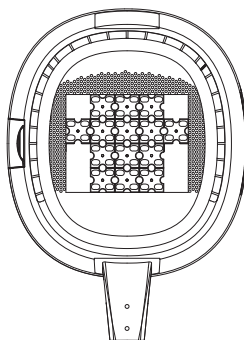


A1	B1	C1	D1
Ø48	90	725	120
Ø60	86	725	127
Ø76	135	775	137

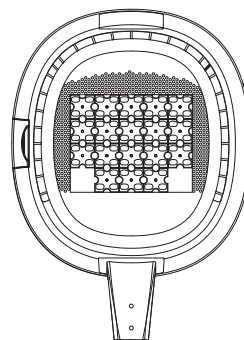
A2	B2	C2	D2
Ø48	90	636	215
Ø60	86	636	215
Ø76	135	636	265



24 LEDES



56 LEDES



72 LEDES



Product Code	Name	Beam Dist.	System Power (W)
Standard			
SK99Z30L30	SIRKEL 30W 4K T3 PESN7 7022	Type 3	30
SK99Z50L30	SIRKEL 30W 4K T5 PESN7 7022	Type 5	30
SK99Z30L50	SIRKEL 50W 4K T3 PESN7 7022	Type 3	50
SK99Z50L50	SIRKEL 50W 4K T5 PESN7 7022	Type 5	50
SK99Z30L60	SIRKEL 60W 4K T3 PESN7 7022	Type 3	60
SK99Z50L60	SIRKEL 60W 4K T5 PESN7 7022	Type 5	60
SK99Z30L100	SIRKEL 100W 4K T3 PESN7 7022	Type 3	100
SK99Z50L100	SIRKEL 100W 4K T5 PESN7 7022	Type 5	100
SK99Z30L120	SIRKEL 120W 4K T3 PESN7 7022	Type 3	120
SK99Z50L120	SIRKEL 120W 4K T5 PESN7 7022	Type 5	120
SK99Z30L150	SIRKEL 150W 4K T3 PESN7 7022	Type 3	150
SK99Z50L150	SIRKEL 150W 4K T5 PESN7 7022	Type 5	150
Special Order			
SK99ZC30L30	SIRKEL 30W 4K T3 7022	Type 3	30
SK99ZC50L30	SIRKEL 30W 4K T5 7022	Type 5	30
SK99ZC30L50	SIRKEL 50W 4K T3 7022	Type 3	50
SK99ZC50L50	SIRKEL 50W 4K T5 7022	Type 5	50
SK99ZC30L60	SIRKEL 60W 4K T3 7022	Type 3	60
SK99ZC50L60	SIRKEL 60W 4K T5 7022	Type 5	60
SK99ZC30L100	SIRKEL 100W 4K T3 7022	Type 3	100
SK99ZC50L100	SIRKEL 100W 4K T5 7022	Type 5	100
SK99ZC30L120	SIRKEL 120W 4K T3 7022	Type 3	120
SK99ZC50L120	SIRKEL 120W 4K T5 7022	Type 5	120
SK99ZC30L150	SIRKEL 150W 4K T3 7022	Type 3	150
SK99ZC50L150	SIRKEL 150W 4K T5 7022	Type 5	150

ACCESSORIES

Standard	32-60mm Tilt Adjustable Spigot
SK99001	32-48mm Tilt Adjustable Spigot
SK99002	60-76mm Tilt Adjustable Spigot
SK99003	60-76mm Yoke-Post Top