

## HYBRID CONTROL GEAR



### Extreme hybrid control gear for RAPTOR 2 and SPORTSLINE G2

- IP20 and IP65 models available
- 240V and 415V options
- Optional accessory offering 50% dimming
- 2C+E cable between driver and luminaire
- Maximum distance between gear and floodlight:
  - 1.5mm<sup>2</sup> cable = 500m
  - 2.5mm<sup>2</sup> cable = 850m
  - 4.0mm<sup>2</sup> cable = 1400m
  - 6.0mm<sup>2</sup> cable = 2100m
- High immunity to surges, low inrush /leakage current

### Quick Control Gear Cross Reference

Voltage (V)	Dimming	GearTray Short
240 (ELECTRONIC CONTROL GEAR)*	0-10V	SR4HESA01T
	DALI	SR4HASA01T
240 (HYBRID CONTROL GEAR)	Optional Switch Dimming Signal: OFF=100% ON=50%	SR4HERWP01T (IP65)
		SR4HERGT01TG2 (IP20)
415 (ELECTRONIC CONTROL GEAR)*	0-10V	SR4HFSA01T
	DALI (no feedback)	SR4HGSA01T
415 (HYBRID CONTROL GEAR)	Optional Switch Dimming Signal: OFF=100% ON=50%	SR4HFRWP01T (IP65)
		SR4HFRGT01TG2 (IP20)

## Hybrid Control BENEFITS

- IP20 and IP65 models available in both 240V and 415V
- Optional accessory available which offers 50% dimming for training mode
- Requires a two core cable + Earth between the driver and luminaire, providing an ideal solution for HID Floodlight retrofits. Installation of earthing is required as per Australian Standards
- The Extreme LED Hybrid control gear has been designed to match the footprint of the existing HID control gear
- For new installations, the distance between the control gear and the floodlight has been greatly improved. This offers benefits for both installation and maintenance
- Proven to offer protection in extreme environments with up to 70 °C ambient temperature, for IP20 GEN 2 model. Offering high immunity to surges and low inrush/leakage current



IP65 Hybrid weather proof drivers

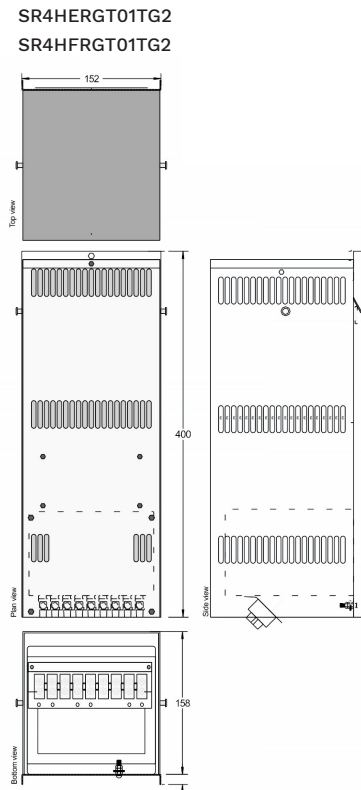


IP65 Hybrid wiring

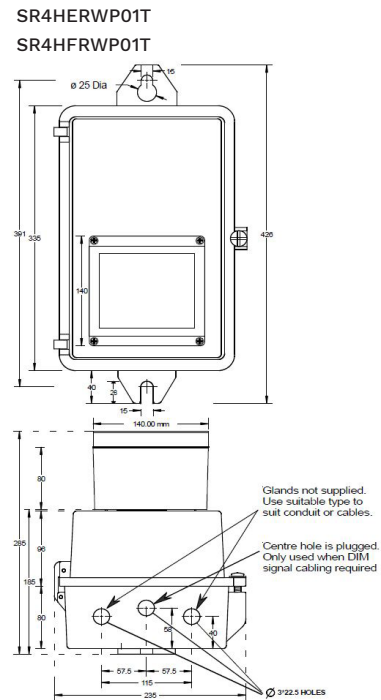


IP20 Hybrid easy access wiring

IP20 CONTROL GEAR DIMENSIONS



IP65 CONTROL GEAR DIMENSIONS



Product Code	Description	Optional Control	IP Rating	Voltage (V)	Dimensions LxWxH(mm)
SR4HERWP01T	W/P BOX CONTROL GEAR RAPTOR 2 WIRE 240V 10KV SURGE IMMUNITY	SWITCH DIMMING	IP65	240	426 x 235 x 285
SR4HERGT01TG2	G/TRAY CONTROL GEAR RAPTOR 2 WIRE 240V 10KV SURGE IMMUNITY	SWITCH DIMMING	IP20	240	400 x 152 x 156
SR4HFRWP01T	W/P BOX CONTROL GEAR RAPTOR 2 WIRE 415V 10KV SURGE IMMUNITY	SWITCH DIMMING	IP65	415	426 x 235 x 285
SR4HFRGT01TG2	G/TRAY CONTROL GEAR RAPTOR 2 WIRE 415V 10KV SURGE IMMUNITY	SWITCH DIMMING	IP20	415	400 x 152 x 156

Product Code	Accessory Description	Voltage (V)
SDIM-400-A1	Switch Dim Interface 380-430V	415
SDIM-230-A1	Switch Dim Interface 220-250V	240
PSU-003-A1	220-430VAC/12 DC Dim Signal PSU	240/415

# ELECTRONIC CONTROL GEAR

## FOR RAPTOR 2 AND SPORTSLINE G2

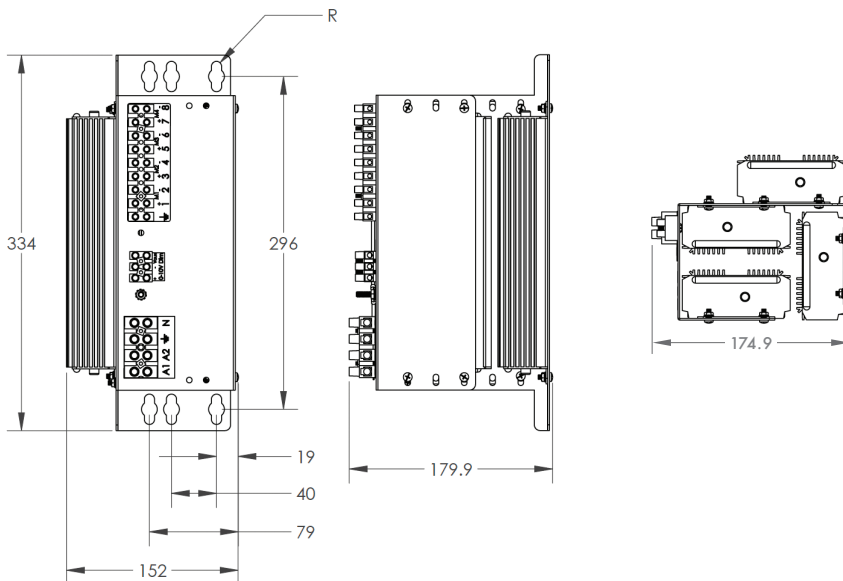
### TECHNICAL DETAILS



#### Electronic control gear

- 4 x IP67 electronic drivers on IP20 gear tray, operating 4 LED modules.
- Available in 240V and 415V, 0-10V and DALI. 415V DALI (no Feedback)
- 10kV surge protection
- 8 Core + Earth cable between gear tray and floodlight
- Maximum distance between gear and floodlight:
  1. 5mm<sup>2</sup> cable = 45m
  2. 5mm<sup>2</sup> cable = 90m

#### CONTROL GEAR DIMENSIONS



Floodlight	Product Code	Description	Wattage (W)	Control	Voltage (V)	Dimensions LxWxH(mm)
RAPTOR 2	SR4HESA01T	Tray Short, SPD 10kV	1260	0-10V	240	334 x 152 x 180
RAPTOR 2	SR4HASA01T	Tray Short, SPD 10kV	1260	DALI	240	334 x 152 x 180
RAPTOR 2	SR4HFSA01T	Tray Short, SPD 10kV	1260	0-10V	415	334 x 152 x 180
RAPTOR 2 / SPORTSLINE G2	SR4HGSA01T	Tray Short, SPD 10kV	1260	DALI No Feedback	415	334 x 152 x 180
SPORTSLINE G2	SS2HASB011800	Tray Short, SPD 10kV	1200	DALI	240	334 x 152 x 180
SPORTSLINE G2	SS1HASB	Tray Short, SPD 10kV	600	DALI	240	334 x 152 x 180
SPORTSLINE G2	SSIHGSB	Tray Short, SPD 10kV	600	DALI No Feedback	415	334 x 152 x 180