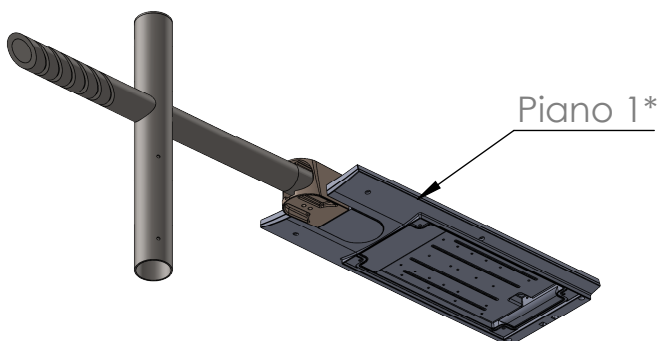
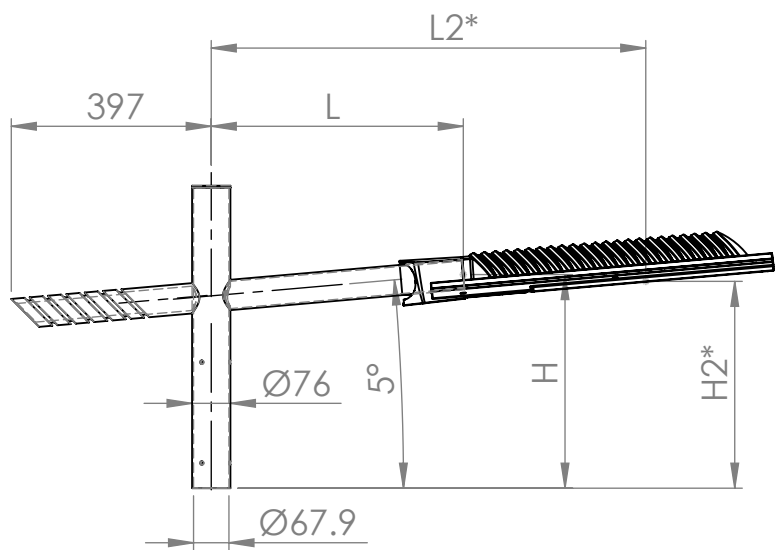
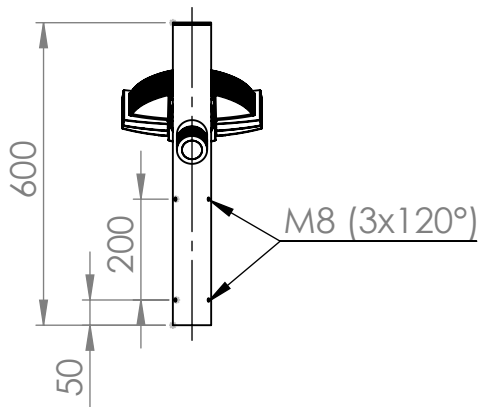
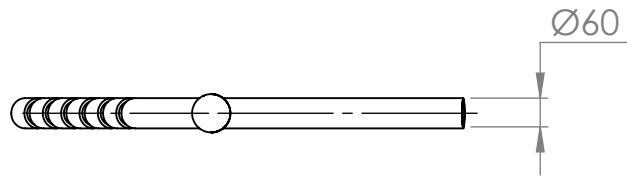


	Simple top 250	Simple top 500	Simple top 1000
L	250	500	1000
H	389	422	455
L2* (Piano1)	607	857	1357
H2* (Piano 1)	376	409	442
Bracket weight	8.1	9.2	11.3



Specifications and measurements are of an indicative nature and subject to change without notice

## Korda simple top enclosing on spigot $\text{Ø}60 \times 300$ (for pole $\text{Ø}76$ )

**Schröder**  
Experts in lightability™

Scale: 1:15

Material: Steel  
galvanised

Date: 03-09-2019

Weight: See table

\* More information on luminaire compatibility is available in the datasheet

© Schröder SA (Rue de Lusambo 07, 1190 Brussels, Belgium).  
This document, its content and all related intellectual property rights, notably on the drawings and design, are owned by and remains the property of Schröder SA. In no case, it can be used for unauthorized purposes. It can not be reproduced or communicated to third parties without Schröder's express and written agreement. Infringement gives rights to damages.